

Specification Sheet

Model SUT900W/SU900M

Wall or Island Mount Canopy range hood power pack



Wireless Transmitter



Touch Controls

Product Features:

- Custom wall or island mount canopy insert or together with Sch31A for under cabinet mount applications
- Two versions - wireless remote or touch controls
- 430 stainless steel #4 brushed finish
- For use over domestic cooking equipment
- 6" round vertical ducting - not supplied
- 600cfm die cast aluminum squirrel cage blower
- Very quiet operation at 61Dba/3.9 sones maximum
- Wireless remote model with emergency off switch
- Wireless transmitter is supplied with a convenient bracket to enable the placement of the transmitter in any convenient location - ideally suited to challenged individuals
- The positioning of the remote transmitter obviates the risks of operating buttons normally located on the underside of the hood directly above the hot cooking surfaces
- Manual model - 4 speed push button settings, 10 minute timer, light switch and filter requires washing feature
- Dishwasher safe aluminum fat filters
- Fat filters are high density with quick release latches
- 2 20W halogen lights
- Heat sensor overload protection
- Optional re-circulating carbon filters. Installer to redirect airflow back into kitchen using 6" ducting—not supplied and custom cap or grill—not supplied

Optional Items:

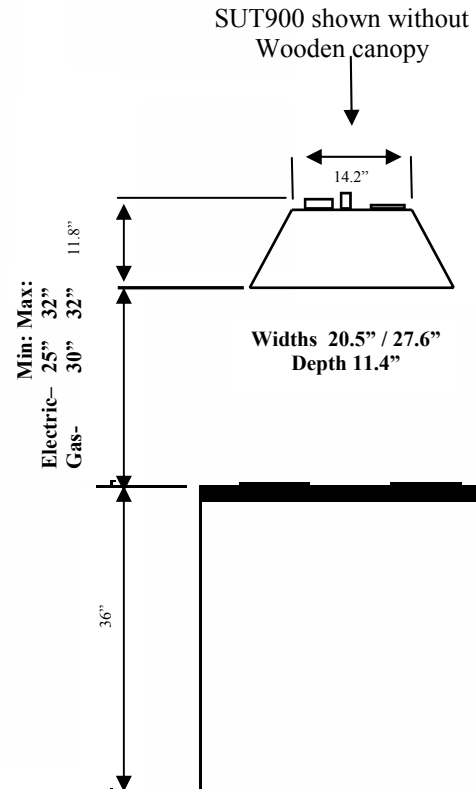
- Replacement fat filters (pair) - code AF4
- Replacement carbon filters (pair) - code KF4
- Replacement halogen lens and bulb - code Lens1



Sirius Range Hoods - USA and Canada

Tel: +866 528-4987 Fax: +866 365-9204 email: info@siriushoods.com

Dimensions and installation measurements



Notes and comments:

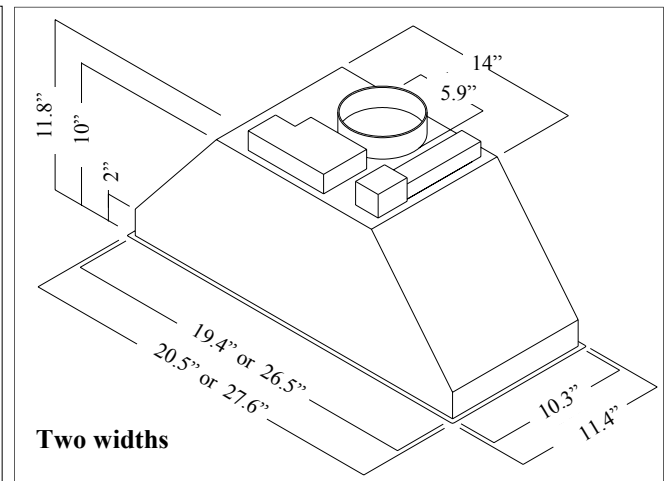
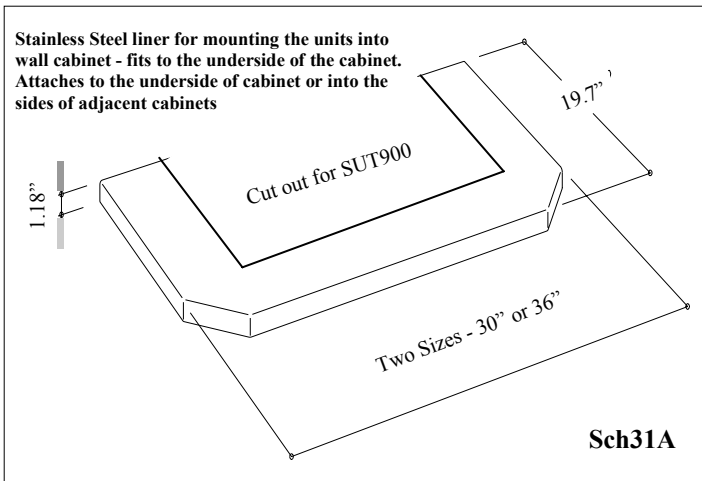
Specification Sheet

Model SUT900W/SU900M

Wall or Island Mount Canopy range hood power pack



Cut Out and Finished unit dimensions



Notes:

(Two versions available - wireless remote (SUT) or manual (SU) touch controls)

This unit is used as a power pack liner for custom wooden hoods. The installation procedure includes making a cut out in the under side of the wooden hood or wall cabinet to the dimensions indicated. The unit is then pushed up into the cut out - springs on either side of the unit will lock into place above the cut out and hold the unit whilst screws are inserted through the inside edge and into the cut out edge.

The flange around the unit will hide the cut edge.

It is advisable to laminate the exposed underside of the wooden canopy with a non-combustible material such as stainless steel or if certain states permit a high density laminate with a metallic finish. These types of surfaces are also easy to clean and remove fat and splash marks.



Use of the SUT900/SU900 together with Sch31A for under cabinet mount applications

Sirius Range Hoods - USA and Canada

Tel: +866 528-4987 Fax: +866 365-9204 email: info@siriushoods.com