

# Inca Pro 30 insert remote

a fusion of power and style

BUILT-IN  
PRO SERIES

- professional-style insert
- fits custom hoods 30" wide and up
- stainless steel finish
- 900 or 1200 cfm remote blower
- 2 halogen lights
- variable speed control
- integrated control panel
- stainless steel baffle filters
- built-in mounting system
- sloped front and sides
- 10" round duct



*Finally, a high-powered insert that looks as great as it performs. The Inca Pro 30 remote insert, with choice of 900 or 1200 cfm remote blower and stylish baffle filter system, offers a simple solution for custom ventilating.*

\* it is highly recommended that professional style cooking always be vented to the outside.



## Size/Color/Model #

30 Remote Stainless	630003952
900 cfm Remote Blower	630001732
1200 cfm Remote Blower	610000007

a  
c  
c  
e  
s  
s  
o  
r  
i  
e  
s

Inca Pro 30 can be used with custom hoods 30" wide and up. Choose either a custom liner or our ProLiner designed for 36" wide installations.

### Liners

Create a perfectly-sealed, non-combustible perimeter around the Inca Pro. Depth adjustable from 21" - 25".

ProLiner 36 Stainless	620000301
-----------------------	-----------

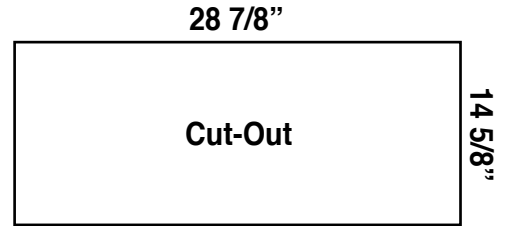
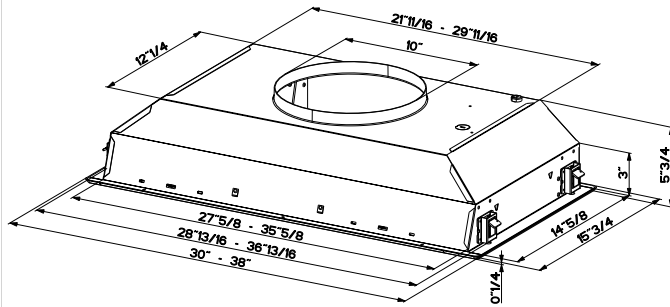


### Remote Wall Control

Provides easy access at your finger tips to the rangehood light and speed controls by allowing you to install the control panel at another location of your choice

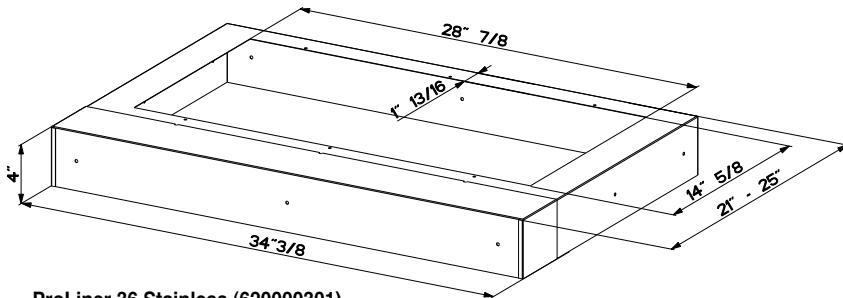
Remote Wall Control Switch	620000542
----------------------------	-----------

## Dimensional Diagrams



## Liners

Create a perfectly-sealed, non-combustible perimeter around the Inca Pro 30. Designed for 36" wide installations. Depth adjustable from 21" - 25"



ProLiner 36 Stainless (620000301)  
designed for 36" wide installations

## Pre-Planning Your Ductwork - Important: Consult the installation instructions before you begin installing this rangehood.

Use one 10" round duct run.

The ductrun should not exceed 55 equivalent feet if ducted with one single 10" round duct. Count 45° angles as 3 feet, 90° elbows as 5 feet, and 90° flat elbows as 12 feet.

**For best results, use no more than three 90° elbows. Make sure that there is a minimum of 24" of straight duct between elbows if more than one is used. Do not install two elbows together. If you must elbow right away, do it as far away from the hood's exhaust opening as possible.**