



T&S BRASS AND BRONZE WORKS, INC.
 2 SADDLEBACK COVE / P.O. BOX 1088 / TRAVELERS REST, SC 29690
 PHONE 800-476-4103 - FAX 864- 834-3518



Model No.

BL-5707-01

**RELIABILITY
 BUILT IN**

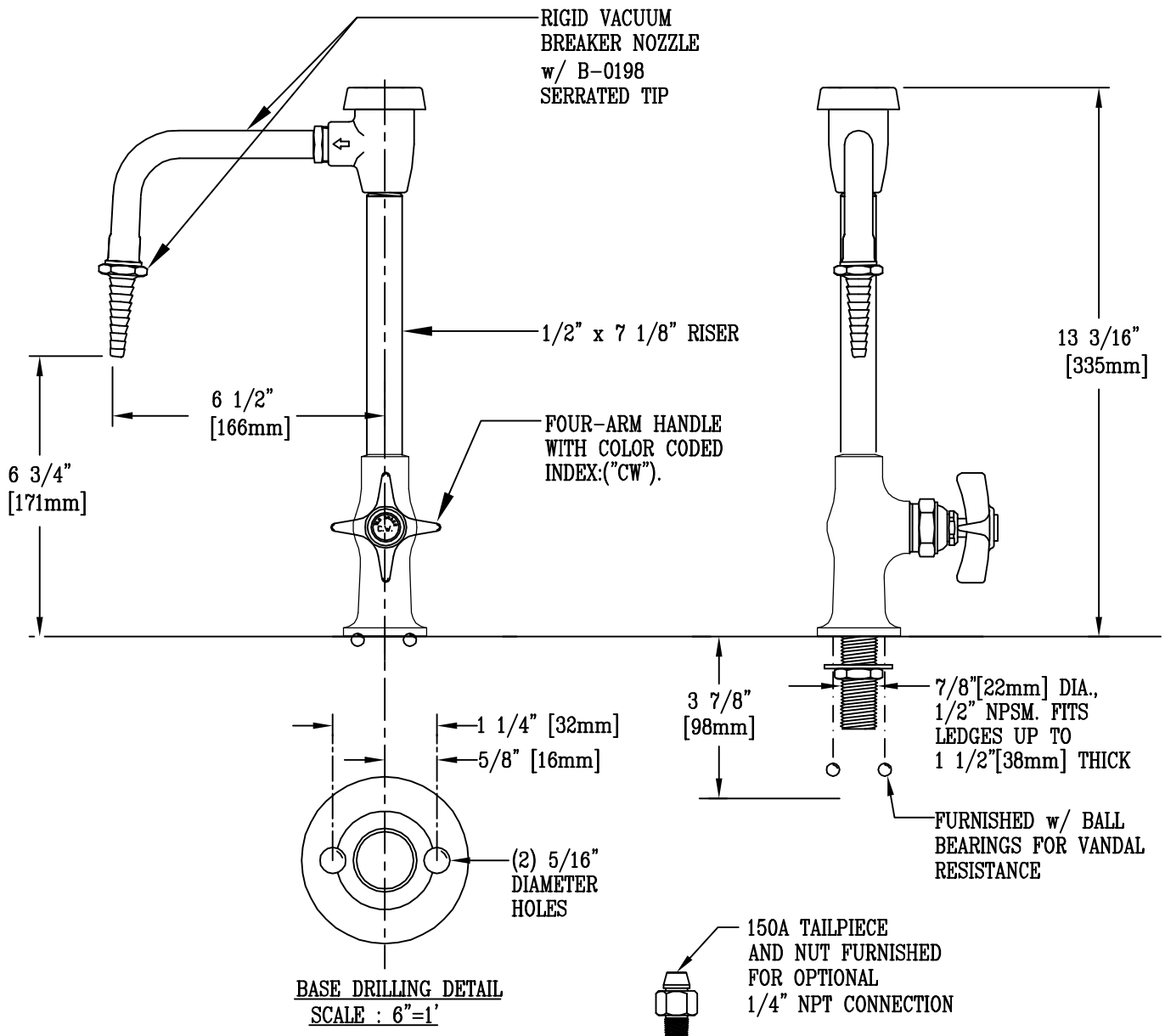
Job Name:

Architect/Engineer Approval:

Notes:



ADA COMPLIANT



Product Description:
 VANDAL RESISTANT TYPE
 SINGLE TEMPERATURE LAB FCT. w/ RIGID VACUUM BREAKER NOZZLE,
 SERRATED TIP OUTLET, 1/2" NPSM MALE SHANK

Drawn: LEL	Checked JKD	Scale: 1 : 4
Approved MVW		Date: 9/11/02