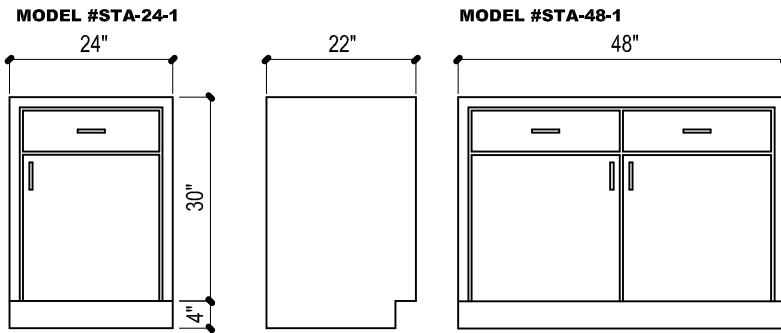


STA - PRO STAINLESS STEEL CABINETS

STA-PRO MFG. 43 SO. LINDEN AVE. SO. S.F., CA 94080 PH (650) 589-4231 FAX (650) 580-3981



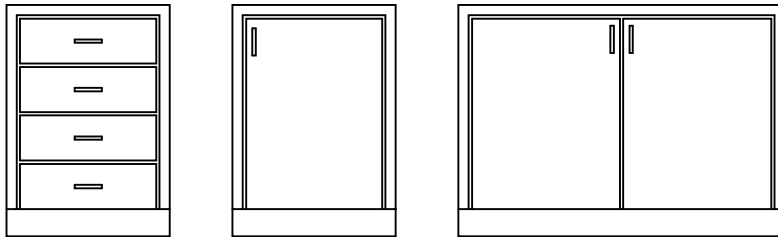
STA-PRO STAINLESS BASE CABINETS



MODEL #STA-24-2

MODEL #STA-24-3

MODEL #STA-48-2



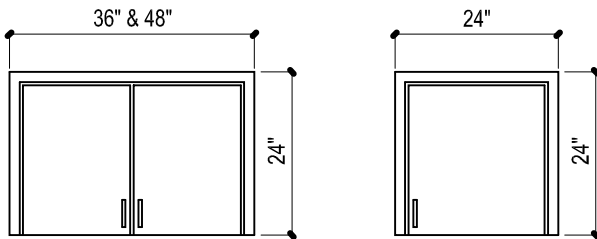
MODEL #STA-SPN-48



STA-PRO STAINLESS WALL CABINETS

MODEL #STA-36-W1
MODEL #STA-48-W1

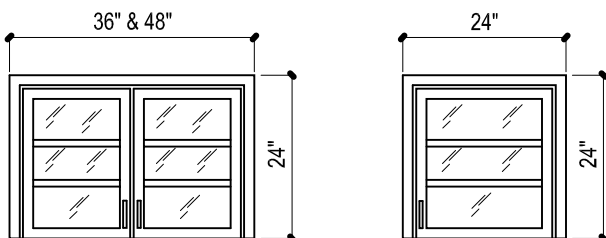
MODEL #STA-24-W1



STA-PRO STAINLESS GLASS DOOR CABINETS

MODEL #STA-36-W1G
MODEL #STA-48-W1G

MODEL #STA-24-W1G



PRICING GUIDE 2006

MODEL # PRICE

STANDARD BASE CABINETS

| | |
|----------|-------------|
| STA-24-1 | \$ 1,788.00 |
| STA-24-2 | \$ 2,748.00 |
| STA-24-3 | \$ 1,428.00 |
| STA-48-1 | \$ 2,869.00 |
| STA-48-2 | \$ 2,340.00 |

LAB TOP SPANNERS

| | |
|------------|-------------|
| STA-SPN-36 | \$ 1,020.00 |
| STA-SPN-48 | \$ 1,140.00 |
| STA-SPN-60 | \$ 1,260.00 |

WALL HUNG CABINETS

| | |
|--------------|-------------|
| STA-24X24-W1 | \$ 2,268.00 |
| STA-36X24-W1 | \$ 2,948.00 |
| STA-48X24-W1 | \$ 3,468.00 |

WALL HUNG GLASS DOOR CABINETS

| | |
|----------------|-------------|
| STA-24X24-W1 G | \$ 2,948.00 |
| STA-36X24-W1 G | \$ 3,833.00 |
| STA-48X24-W1 G | \$ 4,508.00 |

NOTE:

GLASS DOOR CABINETS ARE MADE OF 1/4" TEMPERED GLASS WITH REMOVABLE DOOR FRAME FOR EASY REPLACEMENT.

MATERIALS:

ALL CABINETS AND CASEWORK ARE MADE FROM STAINLESS STEEL T-304 WITH A #4 SATIN FINISH. BASES ARE ADJUSTABLE WITHIN 3/4".

T-316 MATERIAL AND T-316L AVAILABLE. FINISHED 2B, #4 SATIN, 120 MECHANICAL.

OPTIONS:

- S/S PADDLE FLUSH MOUNT DOOR LATCHES.
- S/S LOCKING PADDLE LATCHES.
- EXTRA SHELVING.
- UNDER MOUNT LIGHTING.
- REMOVABLE & AUTO CLAVE DRAWER SLIDES.