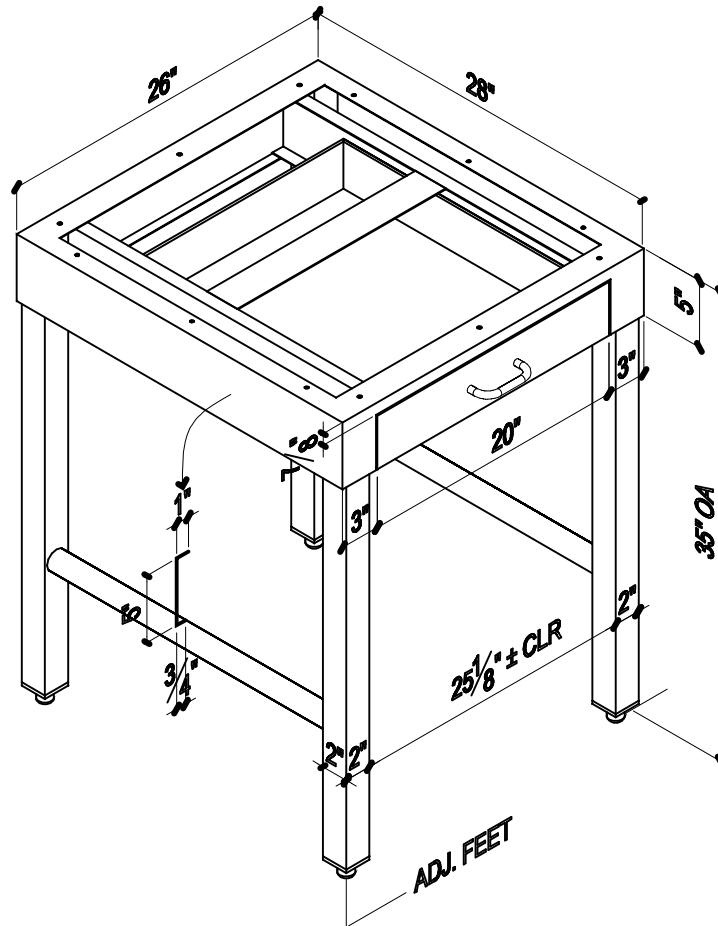




CLEAN ROOM TABLE BASES WITH DRAWERS

Performance Through Stainless!

43 SOUTH LINDEN AVE. SOUTH SAN FRANCISCO, CA 94080 PH (650) 589-4231 FAX (650) 589-3981 WWW.STAPROUSA.COM



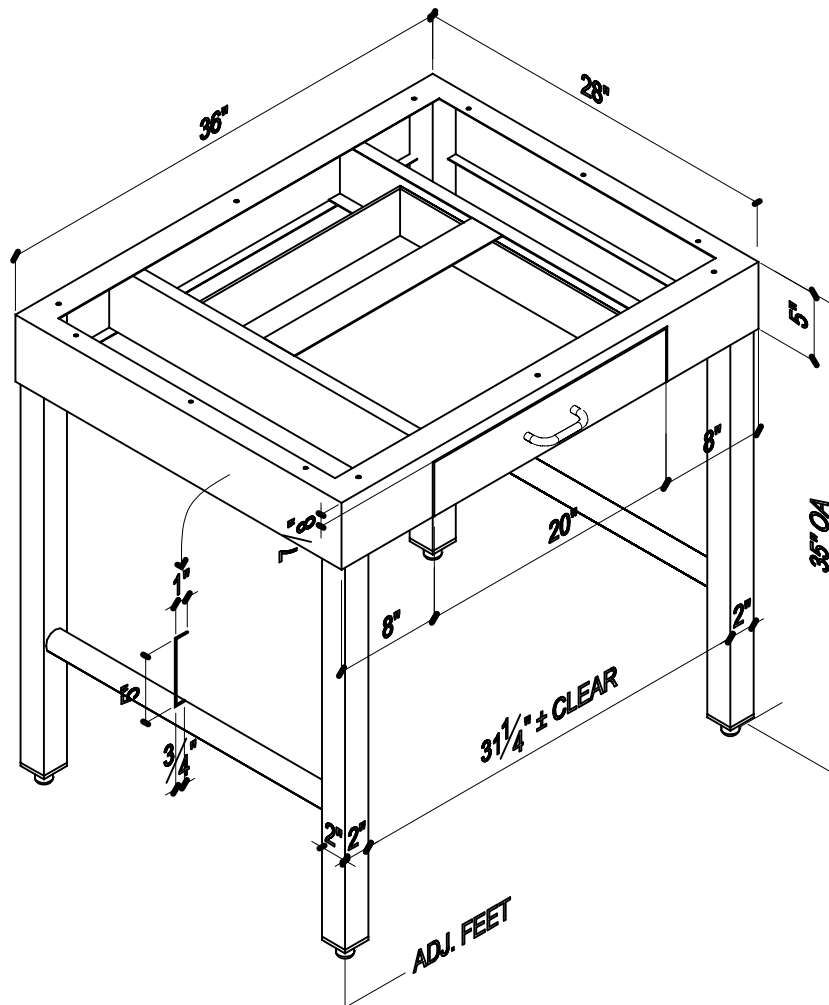
- 2 PIECES CONSTRUCTION AVAILABLE.
- ADJUSTABLE POLY PRO PIVOTING FEET.
- 16GA T-304, #4 FIN. (T-316 AVAILABLE).
- 2" HEAVY DUTY S/S SQUARE TUBE LEGS.
- 1-5/8" ROUND S/S CROSS BRACING.



CLEAN ROOM TABLE BASES WITH DRAWERS

Performance Through Stainless!

43 SOUTH LINDEN AVE. SOUTH SAN FRANCISCO, CA 94080 PH (650) 589-4231 FAX (650) 589-3981 WWW.STAPROUSA.COM



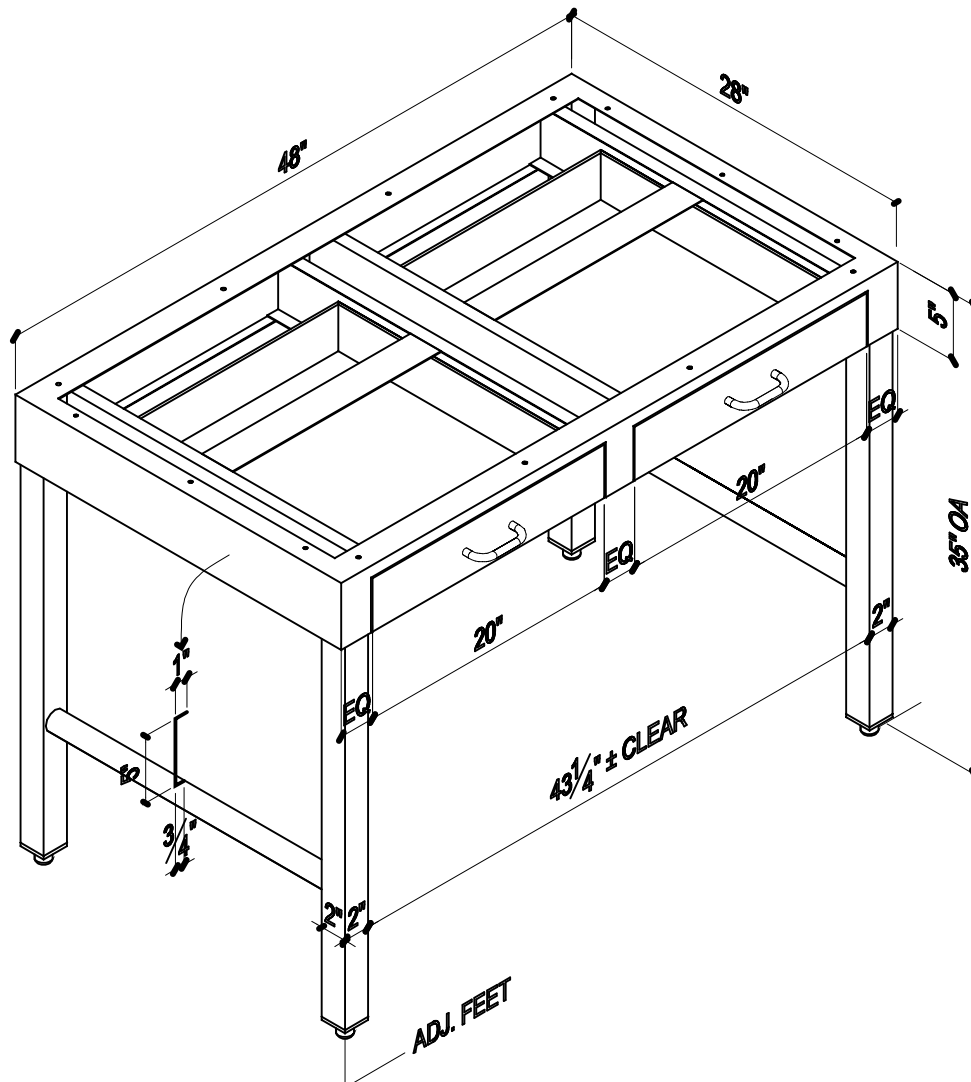
- 2 PIECES CONSTRUCTION AVAILABLE.
- ADJUSTABLE POLY PRO PIVOTING FEET.
- 16GA T-304, #4 FIN. (T-316 AVAILABLE).
- 2" HEAVY DUTY S/S SQUARE TUBE LEGS.
- 1-5/8" ROUND S/S CROSS BRACING.



CLEAN ROOM TABLE BASES WITH DRAWERS

Performance Through Stainless!

43 SOUTH LINDEN AVE. SOUTH SAN FRANCISCO, CA 94080 PH (650) 589-4231 FAX (650) 589-3981 WWW.STAPROUSA.COM



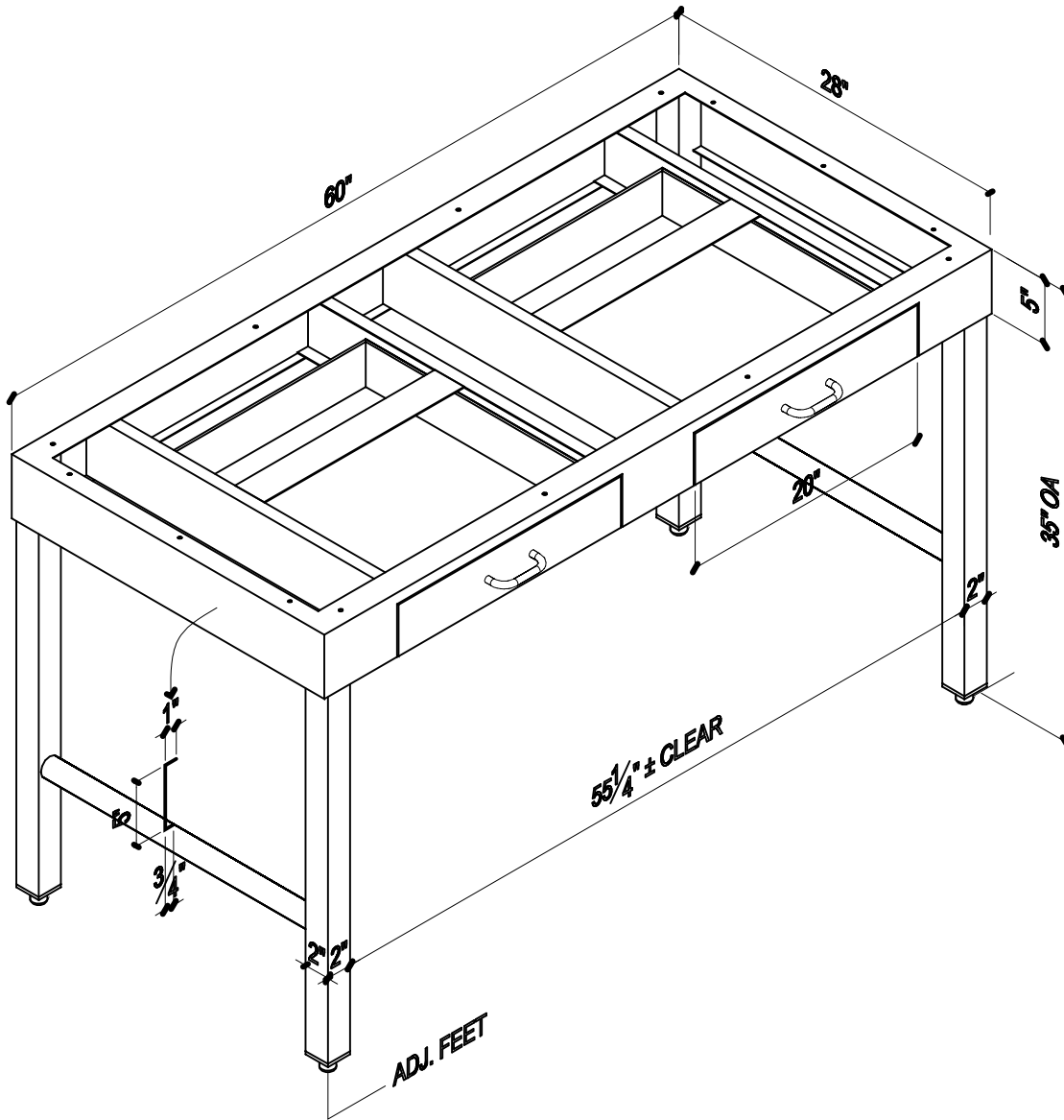
- 2 PIECES CONSTRUCTION AVAILABLE.
- ADJUSTABLE POLY PRO PIVOTING FEET.
- 16GA T-304, #4 FIN. (T-316 AVAILABLE).
- 2" HEAVY DUTY S/S SQUARE TUBE LEGS.
- 1-5/8" ROUND S/S CROSS BRACING.



CLEAN ROOM TABLE BASES WITH DRAWERS

Performance Through Stainless!

43 SOUTH LINDEN AVE. SOUTH SAN FRANCISCO, CA 94080 PH (650) 589-4231 FAX (650) 589-3981 WWW.STAPROUSA.COM



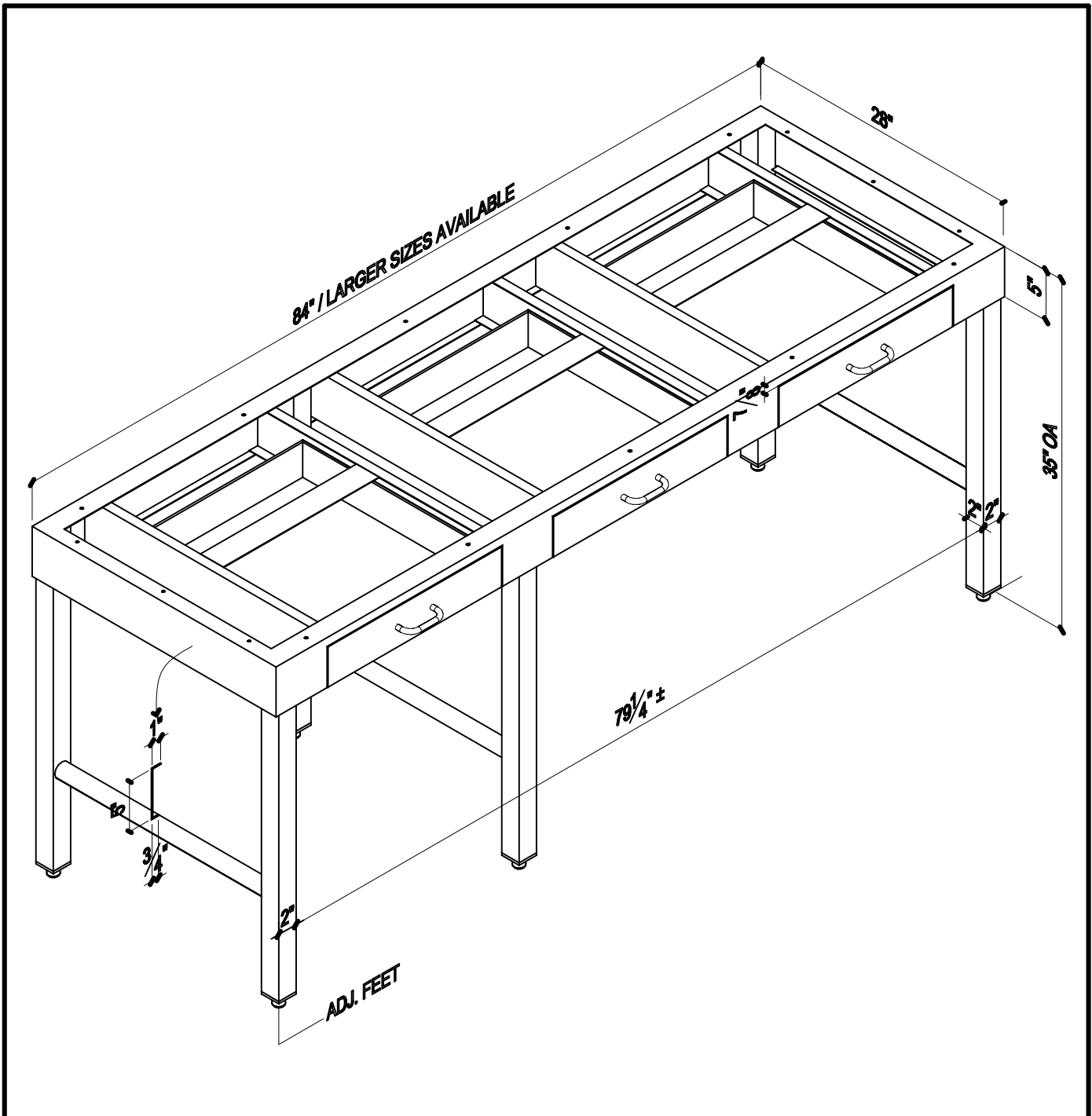
- 2 PIECES CONSTRUCTION AVAILABLE.
- ADJUSTABLE POLY PRO PIVOTING FEET.
- 16GA T-304, #4 FIN. (T-316 AVAILABLE).
- 2" HEAVY DUTY S/S SQUARE TUBE LEGS.
- 1-5/8" ROUND S/S CROSS BRACING.



CLEAN ROOM TABLE BASES WITH DRAWERS

Performance Through Stainless!

43 SOUTH LINDEN AVE. SOUTH SAN FRANCISCO, CA 94080 PH (650) 589-4231 FAX (650) 589-3981 WWW.STAPROUSA.COM



- 2 PIECES CONSTRUCTION AVAILABLE.
- ADJUSTABLE POLY PRO PIVOTING FEET.
- 16GA T-304, #4 FIN. (T-316 AVAILABLE).
- 2" HEAVY DUTY S/S SQUARE TUBE LEGS.
- 1-5/8" ROUND S/S CROSS BRACING.