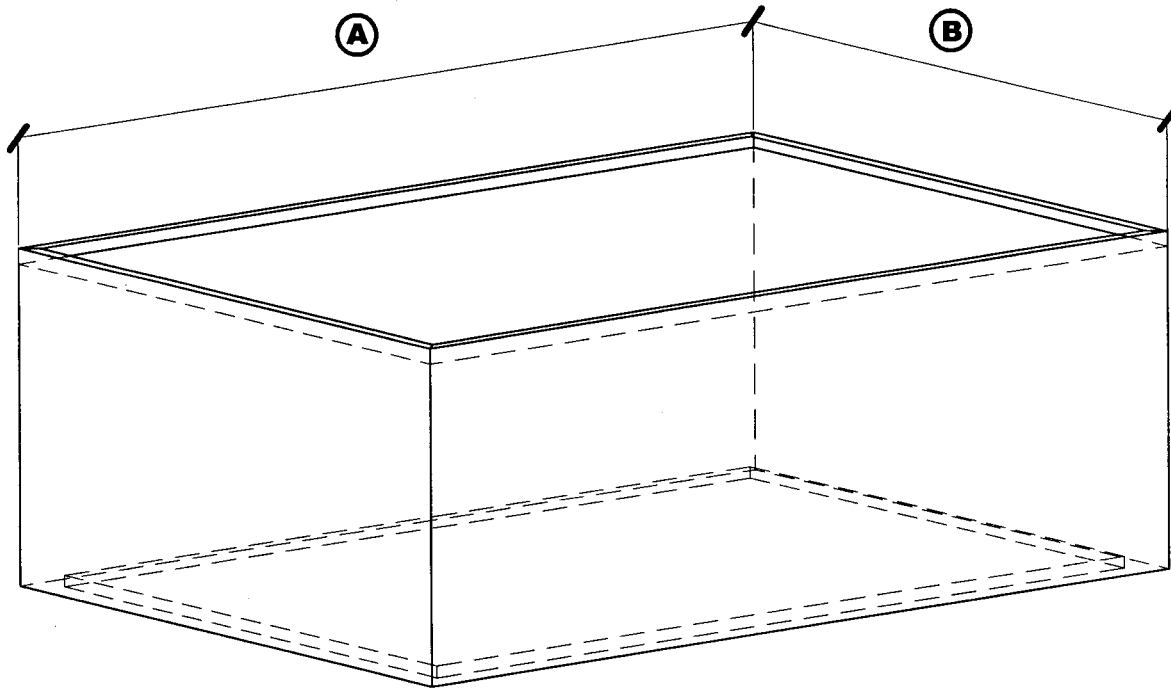


STA - PRO VAPOR HOOD TYPE #2

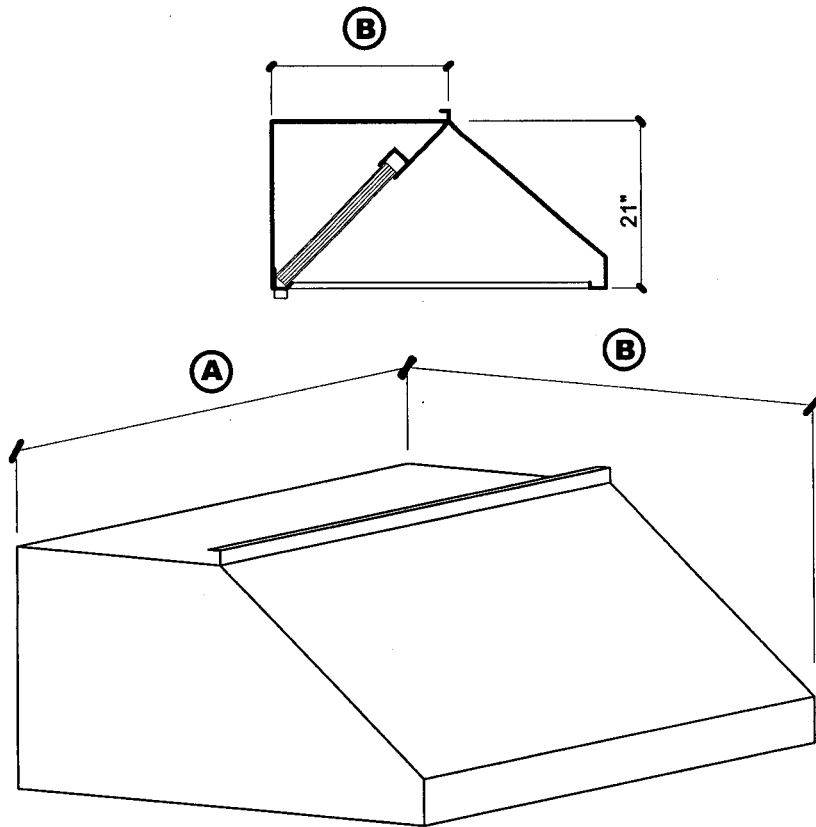
STA-PRO MFG. 43 SO. LINDEN AVE. SO. S.F., CA 94080 PH (650) 589-4231 FAX (650) 580-3981



A	B	WT.	MODEL NO.	PRICE
36"	36"	75#	3VHS-36	700.00
60"	36"	98#	5VHS-36	900.00
72"	48"	128#	6VHS-48	1554.00
84"	48"	144#	7VHS-48	1674.00
96"	48"	160#	8VHS-48	1794.00
108"	48"	176#	9VHS-48	1914.00
120"	48"	192#	10VHS-48	2030.00

STA - PRO 42" ANGLE FRONT HOOD

STA-PRO MFG. 43 SO. LINDEN AVE. SO. S.F., CA 94080 PH (650) 589-4231 FAX (650) 580-3981



A	B	WT.	MODEL NO.	PRICE
48"	42"	90#	4AFS-42	1400.00
60"	42"	110#	5AFS-42	1558.00
72"	42"	125#	6AFS-42	1714.00
84"	42"	140#	7AFS-42	1872.00
96"	42"	155#	8AFS-42	2026.00
108"	42"	175#	9AFS-42	2184.00
120"	42"	200#	10AFS-42	2340.00
132"	42"	225#	11AFS-42	2498.00
144"	42"	250#	12AFS-42	2654.00

OPTIONS:

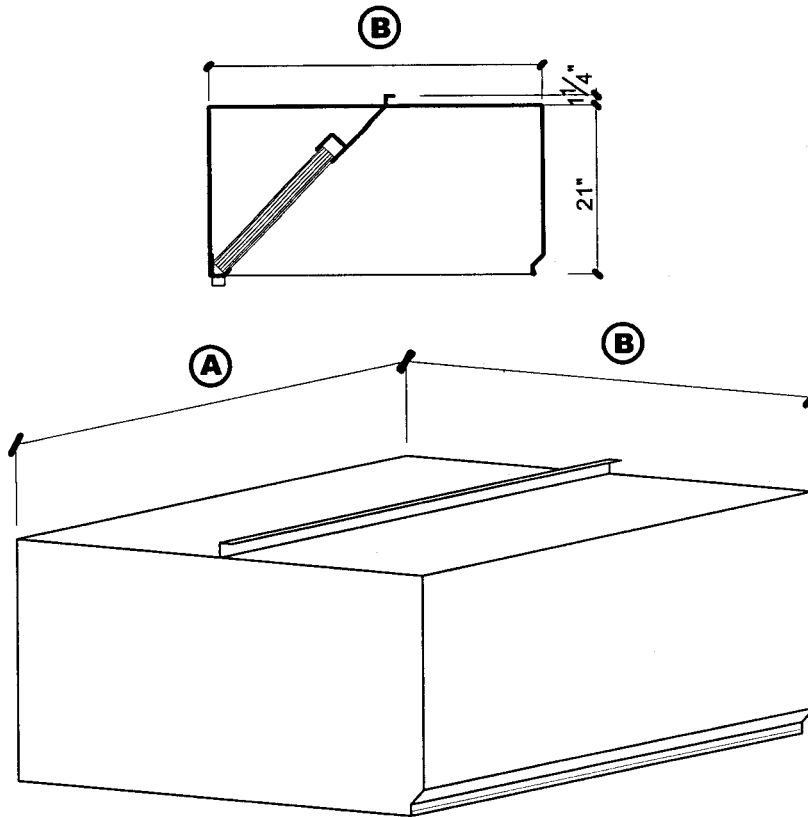
# VPL, VAPOR PROOF LIGHT FIXTURE, MOUNTED	LIST / EA\$ 80.00
# SRAS, 3" S/S REAR AIR SPACE, SHIPPED LOOSE	LIST / EA\$ 26.00
# NEAS, 3" S/S END AIR SPACE, ATTACHED	LIST / EA\$ 270.00
# COR, CUT-OUT FOR DUCT, RAW EDGE	LIST / EA\$ 80.00

SPECIFICATIONS

STA-PRO HOODS ARE CONSTRUCTED OF 18 GAUGE STAINLESS STEEL, WELDED CONSTRUCTION WITH A SINGLE ROW FILTER FRAME RUNNING THE FULL LENGTH OF THE HOOD.
 20" X 20" ALUMINUM BAFFLE TYPE FILTERS ARE FURNISHED, ALONG WITH A REMOVABLE GREASE CUP.

STA - PRO 42" BOX TYPE HOOD

STA-PRO MFG. 43 SO. LINDEN AVE. SO. S.F., CA 94080 PH (650) 589-4231 FAX (650) 580-3981



A	B	WT.	MODEL NO.	PRICE
48"	42"	100#	4BHN-42	1486.00
60"	42"	120#	5BHN-42	1644.00
72"	42"	140#	6BHN-42	1800.00
84"	42"	160#	7BHN-42	1958.00
96"	42"	180#	8BHN-42	2112.00
108"	42"	200#	9BHN-42	2270.00
120"	42"	220#	10BHN-42	2426.00
132"	42"	240#	11BHN-42	2584.00
144"	42"	260#	12BHN-42	2740.00

OPTIONS:

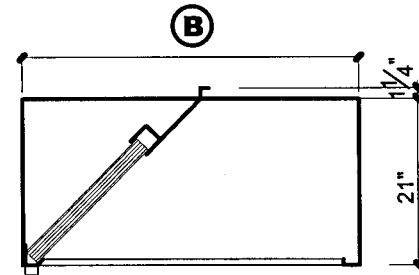
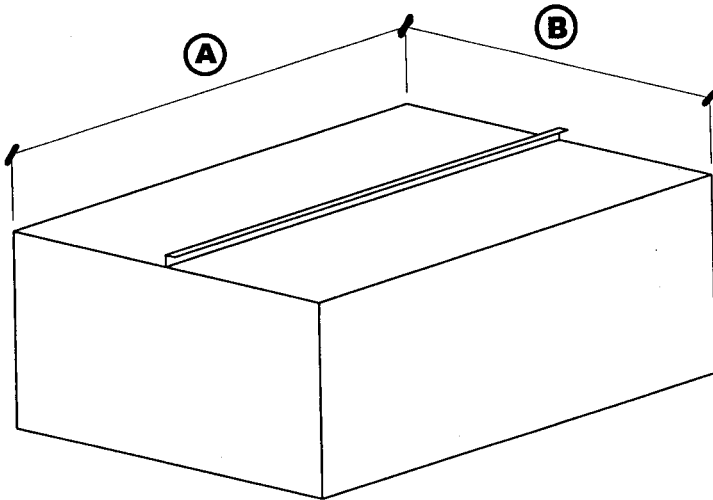
# VPL, VAPOR PROOF LIGHT FIXTURE, MOUNTED	LIST / EA\$ 80.00
# SRAS, 3" S/S REAR AIR SPACE, SHIPPED LOOSE	LIST / EA\$ 26.00
# NEAS, 3" S/S END AIR SPACE, ATTACHED	LIST / EA\$ 270.00
# COR, CUT-OUT FOR DUCT, RAW EDGE	LIST / EA\$ 80.00

SPECIFICATIONS

STA-PRO HOODS ARE CONSTRUCTED OF 18 GAUGE STAINLESS STEEL, WELDED CONSTRUCTION WITH A SINGLE ROW FILTER FRAME RUNNING THE FULL LENGTH OF THE HOOD.
 20" X 20" ALUMINUM BAFFLE TYPE FILTERS ARE FURNISHED, ALONG WITH A REMOVABLE GREASE CUP.

STA - PRO 42" BOX TYPE HOOD

STA-PRO MFG. 43 SO. LINDEN AVE. SO. S.F., CA 94080 PH (650) 589-4231 FAX (650) 580-3981



A	B	WT.	MODEL NO.	PRICE
48"	42"	100#	4BHS-42	1400.00
60"	42"	120#	5BHS-42	1558.00
72"	42"	140#	6BHS-42	1714.00
84"	42"	160#	7BHS-42	1872.00
96"	42"	180#	8BHS-42	2026.00
108"	42"	200#	9BHS-42	2184.00
120"	42"	220#	10BHS-42	2340.00
132"	42"	240#	11BHS-42	2498.00
144"	42"	260#	12BHS-42	2654.00

OPTIONS:

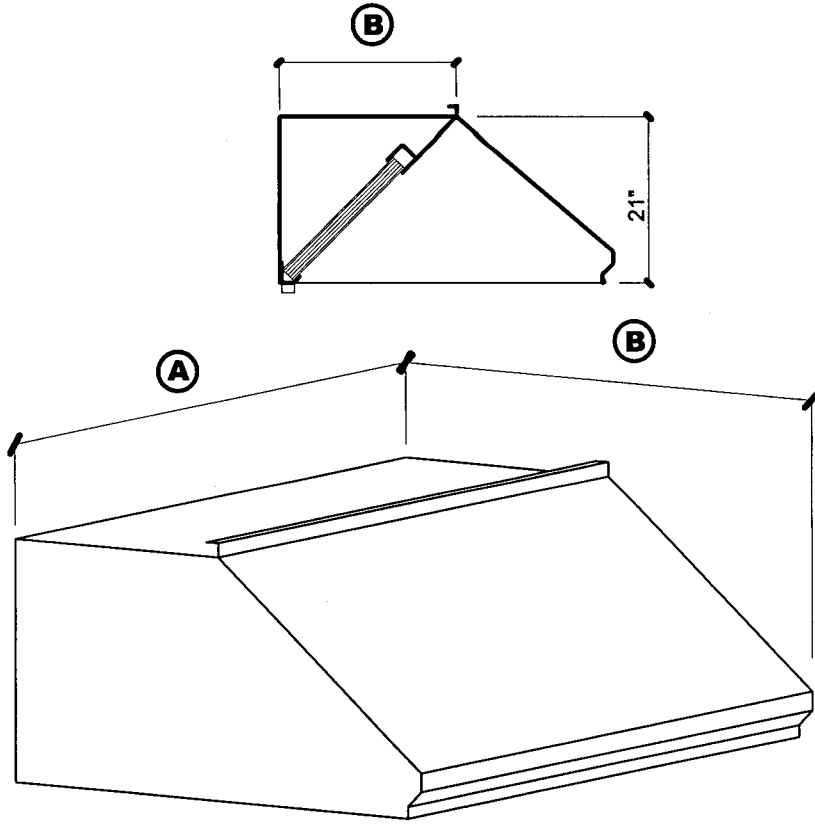
# VPL, VAPOR PROOF LIGHT FIXTURE, MOUNTED	LIST / EA\$ 80.00
# SRAS, 3" S/S REAR AIR SPACE, SHIPPED LOOSE	LIST / EA\$ 26.00
# NEAS, 3" S/S END AIR SPACE, ATTACHED	LIST / EA\$ 270.00
# COR, CUT-OUT FOR DUCT, RAW EDGE	LIST / EA\$ 80.00

SPECIFICATIONS

STA-PRO HOODS ARE CONSTRUCTED OF 18 GAUGE STAINLESS STEEL, WELDED CONSTRUCTION WITH A SINGLE ROW FILTER FRAME RUNNING THE FULL LENGTH OF THE HOOD.
20" X 20" ALUMINUM BAFFLE TYPE FILTERS ARE FURNISHED, ALONG WITH A REMOVABLE GREASE CUP.

STA - PRO 42" ANGLE FRONT HOOD

STA-PRO MFG. 43 SO. LINDEN AVE. SO. S.F., CA 94080 PH (650) 589-4231 FAX (650) 580-3981



A	B	WT.	MODEL NO.	PRICE
48"	42"	90#	4AFN-42	1486.00
60"	42"	110#	5AFN-42	1644.00
72"	42"	125#	6AFN-42	1800.00
84"	42"	140#	7AFN-42	1958.00
96"	42"	155#	8AFN-42	2112.00
108"	42"	175#	9AFN-42	2270.00
120"	42"	200#	10AFN-42	2426.00
132"	42"	225#	11AFN-42	2584.00
144"	42"	250#	12AFN-42	2740.00

OPTIONS:

# VPL, VAPOR PROOF LIGHT FIXTURE, MOUNTED	LIST / EA\$ 80.00
# SRAS, 3" S/S REAR AIR SPACE, SHIPPED LOOSE	LIST / EA\$ 26.00
# NEAS, 3" S/S END AIR SPACE, ATTACHED	LIST / EA\$ 270.00
# COR, CUT-OUT FOR DUCT, RAW EDGE	LIST / EA\$ 80.00

SPECIFICATIONS

STA-PRO HOODS ARE CONSTRUCTED OF 18 GAUGE STAINLESS STEEL, WELDED CONSTRUCTION WITH A SINGLE ROW FILTER FRAME RUNNING THE FULL LENGTH OF THE HOOD.
 20" X 20" ALUMINUM BAFFLE TYPE FILTERS ARE FURNISHED, ALONG WITH A REMOVABLE GREASE CUP.