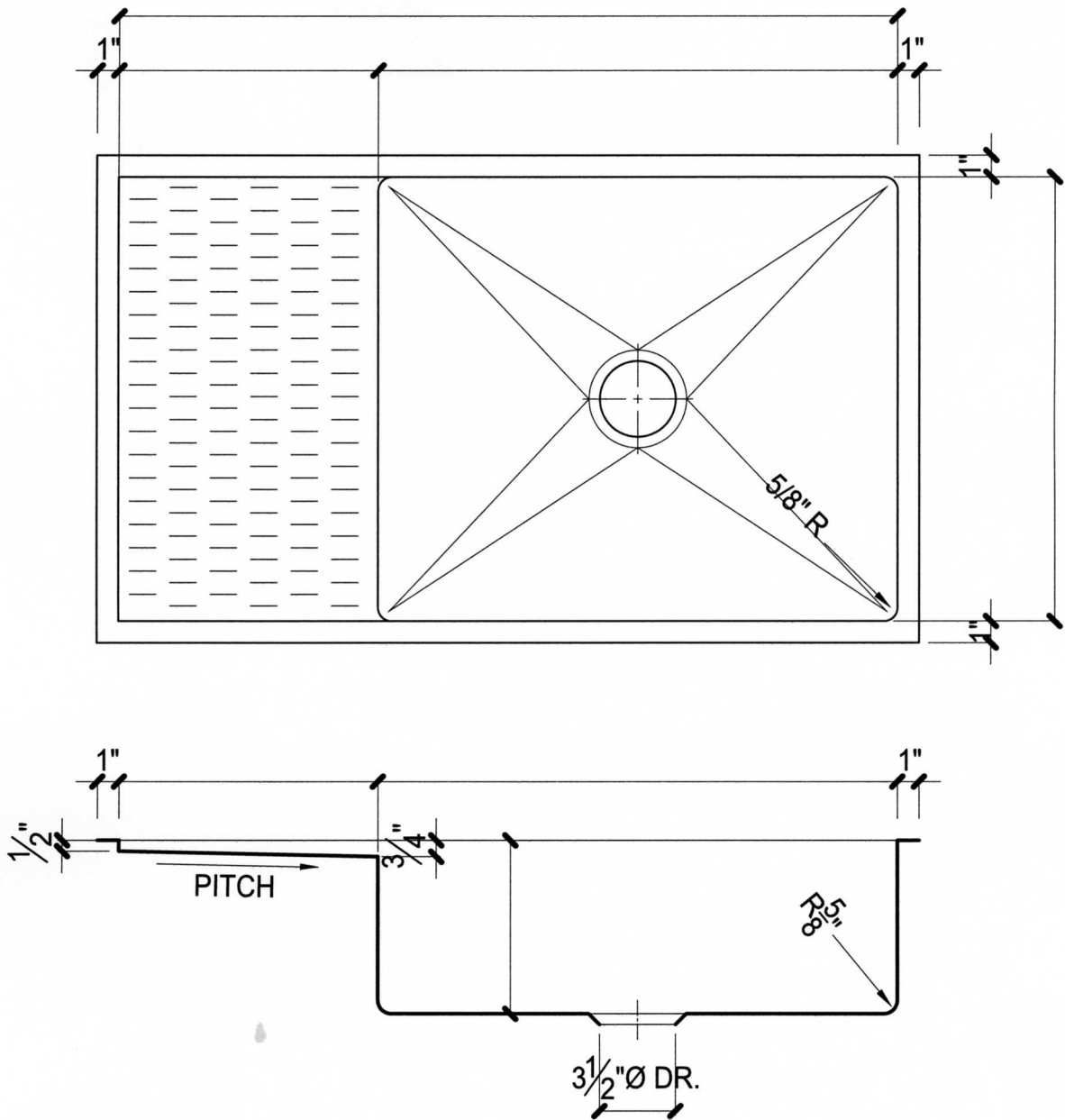


STA - PRO UNDERMOUNT DRAINBOARD SINK

STA-PRO MFG. 43 SO. LINDEN AVE. SO. S.F., CA 94080 PH (650) 589-4231 FAX (650) 580-3981



SPECIFICATIONS:

16 GA. T-304 S/S #4 FINISH
UNDERMTD SINK. BUILT TO COMPLY
WITH N.S.F. STD 2

OPTIONAL:

- 3- $\frac{1}{2}$ " BASKET DRAIN
- SOUND DEADENED BOTTOM

