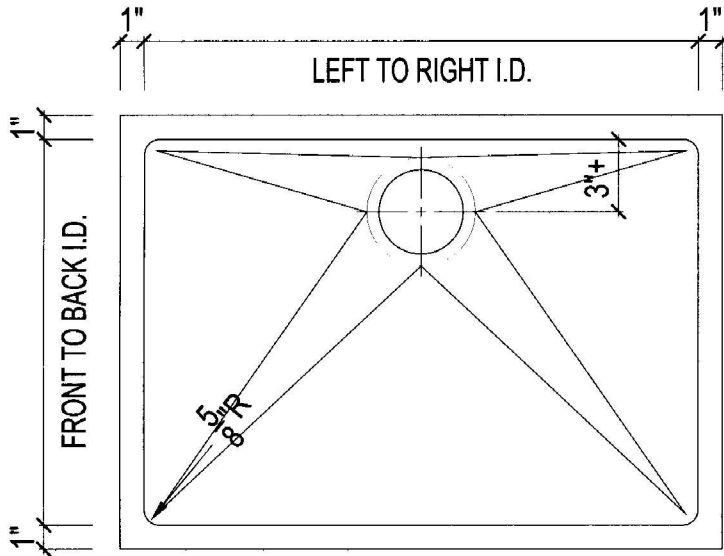


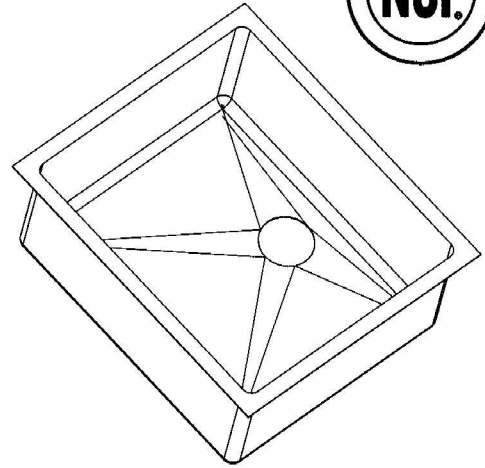
STA - PRO S/S UNDERMOUNT SINK

STA-PRO MFG. 43 SO. LINDEN AVE. SO.S.F. , CA 94080 PH (650) 589-4231 FAX (650) 589-3981



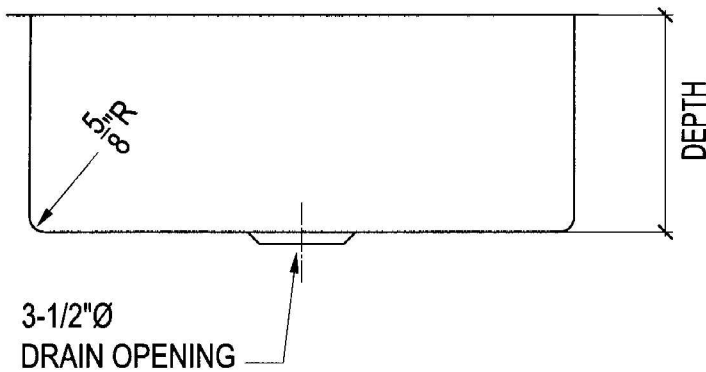
PLAN VIEW

SCALE: 1-1/2"=1'-0"



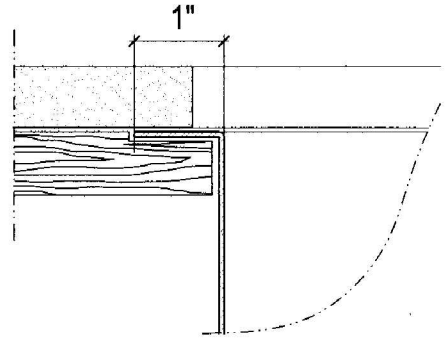
ISOMETRIC VIEW

N.T.S.



FRONT VIEW

SCALE: 1-1/2"=1'-0"



SPECIFICATIONS:

16 GA. T-304 S/S #4
 FINISH I.D., UNDERMOUNT
 SINK. BUILT TO COMPLY
 WITH N.S.F. STD 2

OPTIONAL:

- 3-1/2" BASKET DRAIN
- SOUND DEADENED BOTTOM