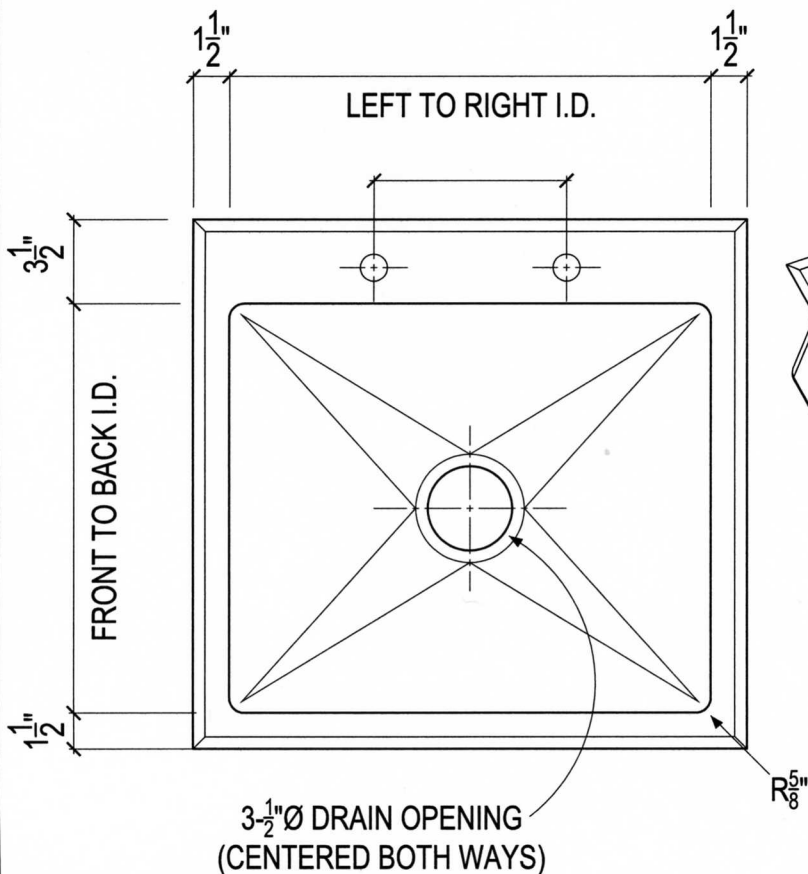


# STA - PRO

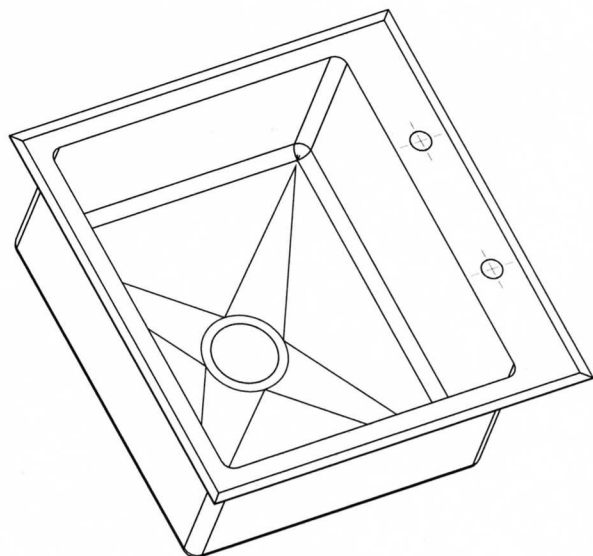
# S/S DROP-IN SINK WITH FAUCET DECK

STA-PRO MFG. 43 SO. LINDEN AVE. SO.S.F., CA 94080 PH (650) 589-4231 FAX (650) 589-3981



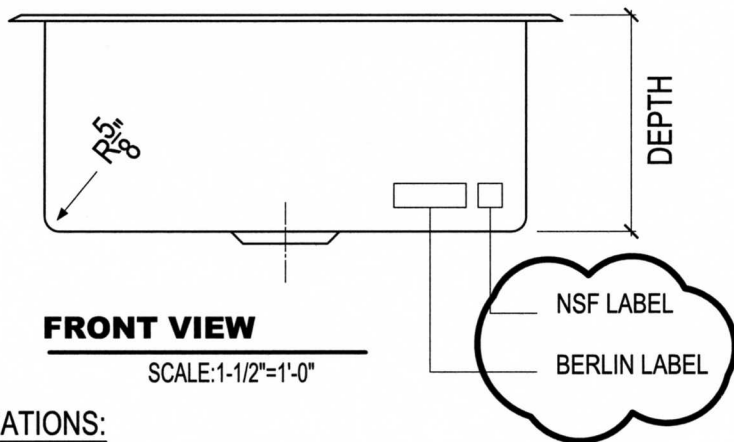
## PLAN VIEW

SCALE: 1-1/2"=1'-0"



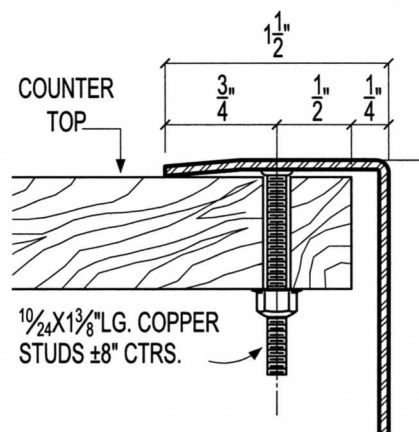
## ISOMETRIC VIEW

N.T.S.



## FRONT VIEW

SCALE: 1-1/2"=1'-0"



## MOUNTING DETAIL

N.T.S.

### SPECIFICATIONS:

16 GA. T-304 S/S #4  
FINISH I.D., DROP-IN  
SINK. BUILT TO COMPLY  
WITH N.S.F. STD 2

### OPTIONAL:

- $3\frac{1}{2}"$  BASKET DRAIN
- SOUND DEADENED BOTTOM