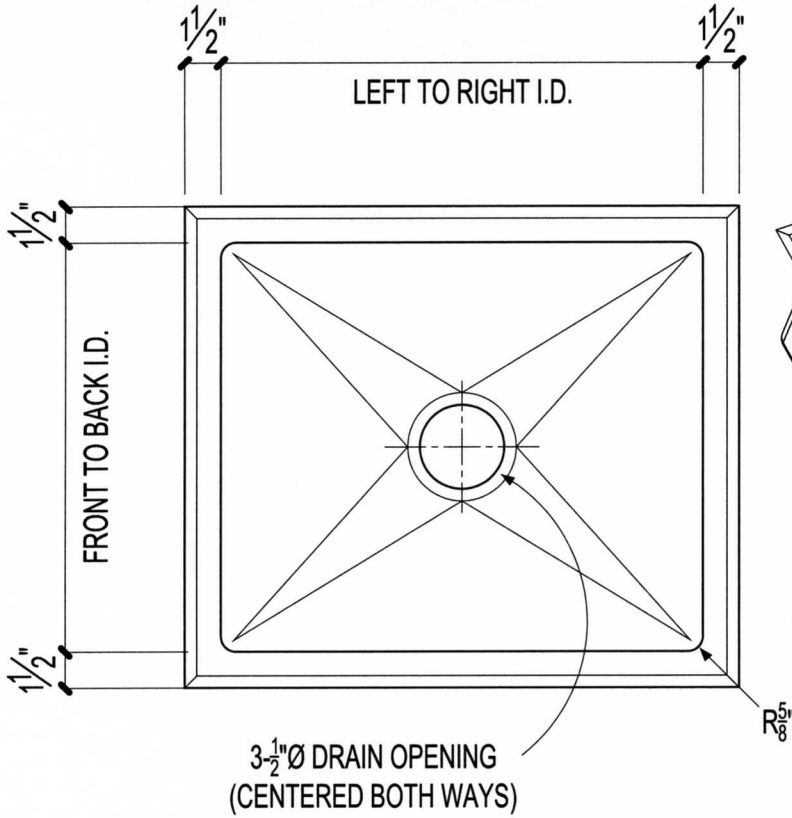


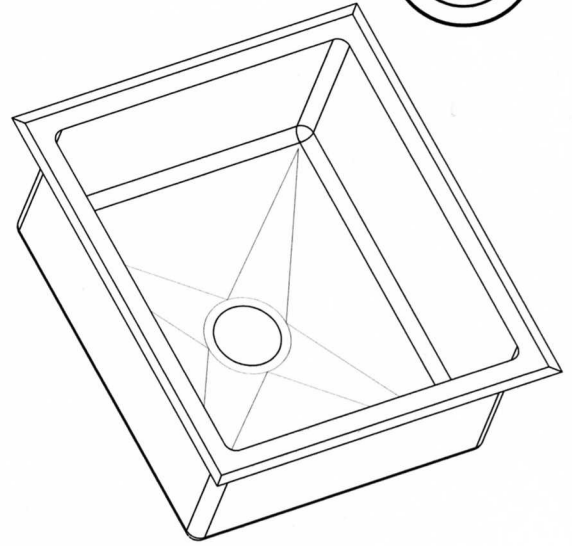
STA - PRO S/S DROP-IN SINK

STA-PRO MFG. 43 SO. LINDEN AVE. SO.S.F., CA 94080 PH (650) 589-4231 FAX (650) 589-3981



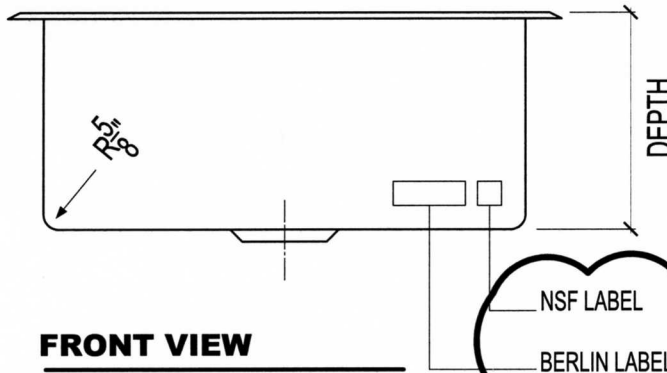
PLAN VIEW

SCALE: 1-1/2"=1'-0"



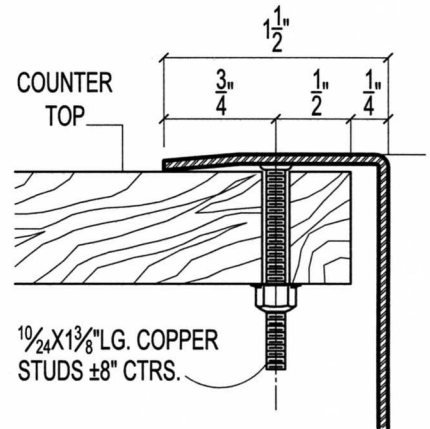
ISOMETRIC VIEW

N.T.S.



FRONT VIEW

SCALE: 1-1/2"=1'-0"



MOUNTING DETAIL

N.T.S.

SPECIFICATIONS:

16 GA. T-304 S/S #4
FINISH I.D., DROP-IN
SINK. BUILT TO COMPLY
WITH N.S.F. STD 2

OPTIONAL:

- $3\frac{1}{2}''$ BASKET DRAIN
- SOUND DEADENED BOTTOM