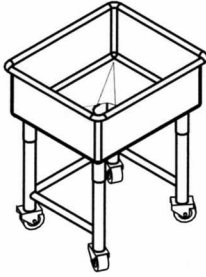
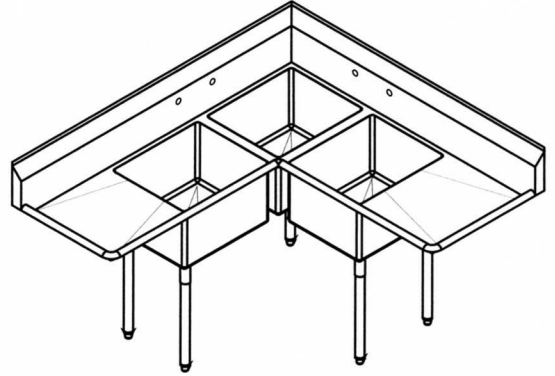


SPECIAL APPLICATION SINKS

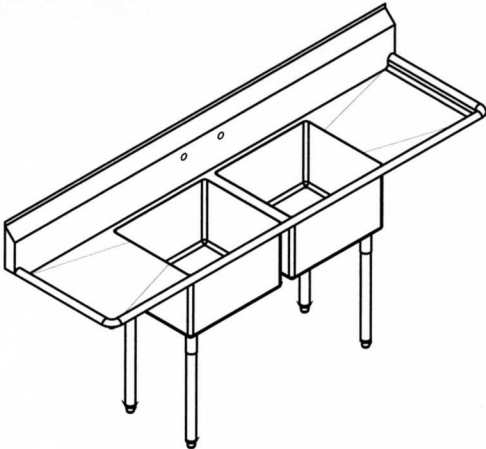


MOBILE SILVER SOAK SINK

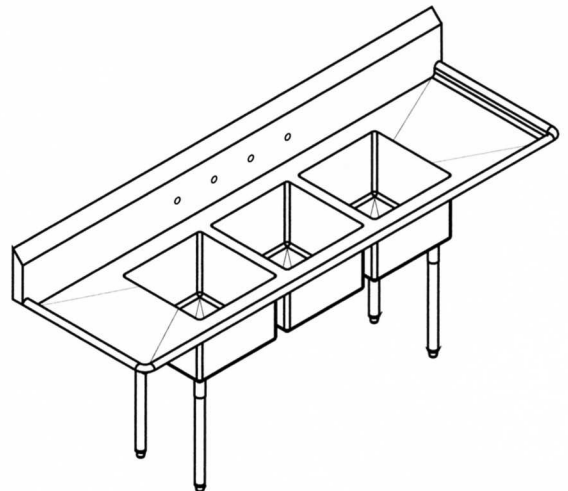


CORNER SINKS

MODEL NO.		NET WT.	MODEL NO.	NET WT.
MSS - 20-G	G.I. LEGS	60 #	C - 3N17 - 2D18	120 #
MSS - 2- -S	S/S LEGS	60 #	C - 3N23 - 2D24	160 #



2 TUB BAKERY SINKS



3 TUB BAKERY SINKS

MODEL NO.	NET WT.	MODEL NO.	NET WT.
2N2028 - 2D20	120 #	3N2028 - 2D20	155 #