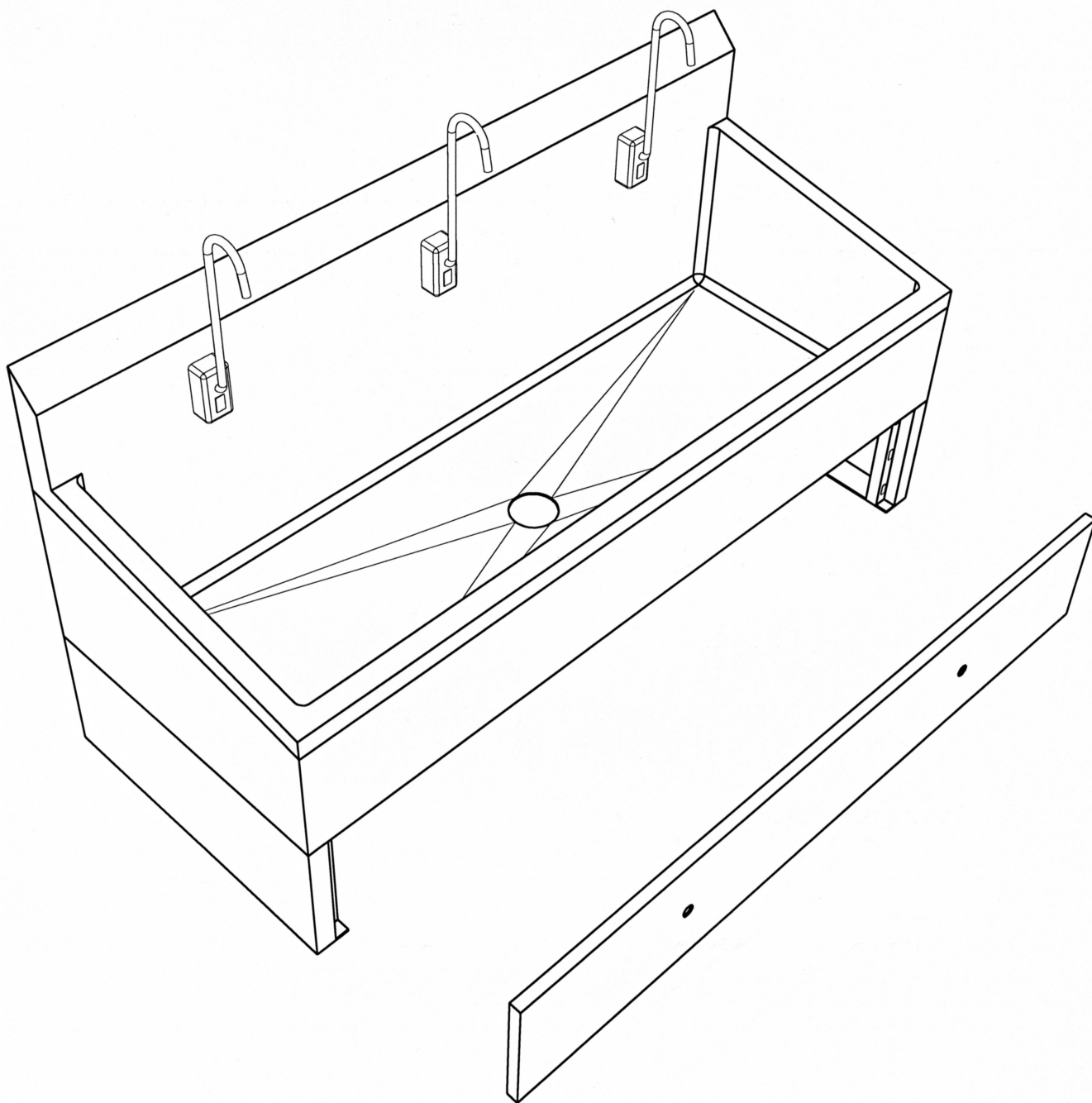


MEDICAL SCRUB SINK

DWG.: #03508-4

DATE: 7-31-06

1EA. SINK 60" WIDE / 3EA. FAUCET



*Performance Through Stainless!*

**BERLIN FOOD EQUIPMENT COMPANY**

43 SO. LINDEN AVE. SO. S.F., CA 94080 PH (650) 589-4231 FAX (650) 580-3981