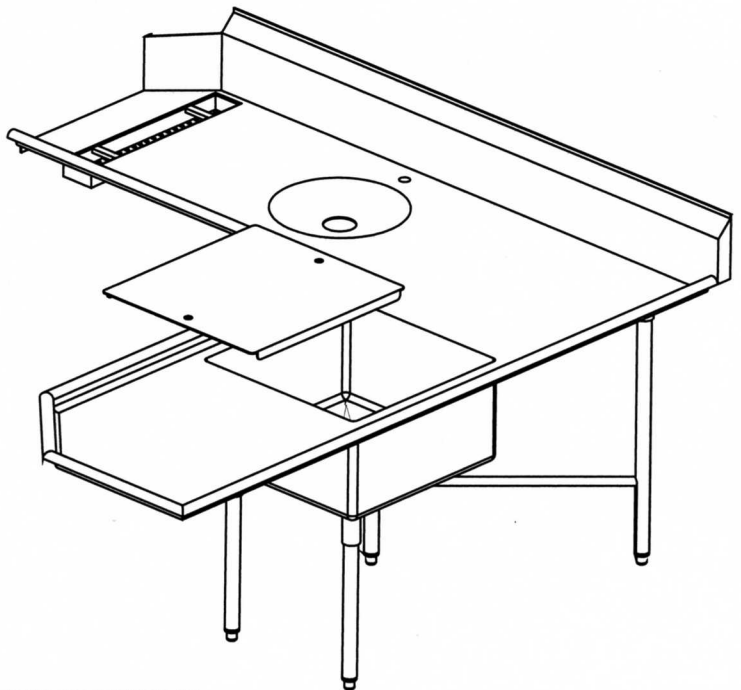
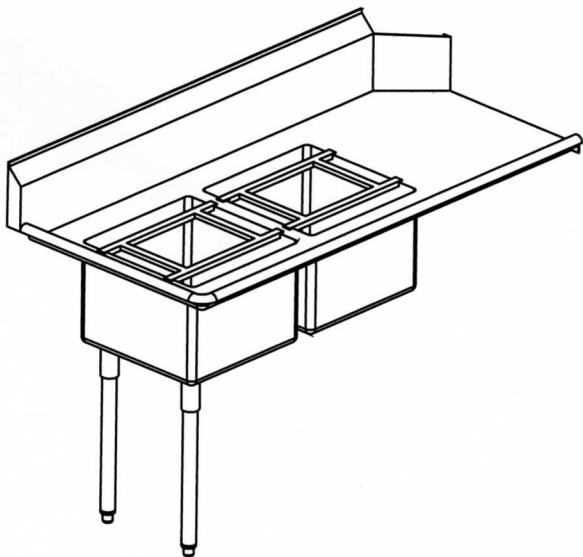
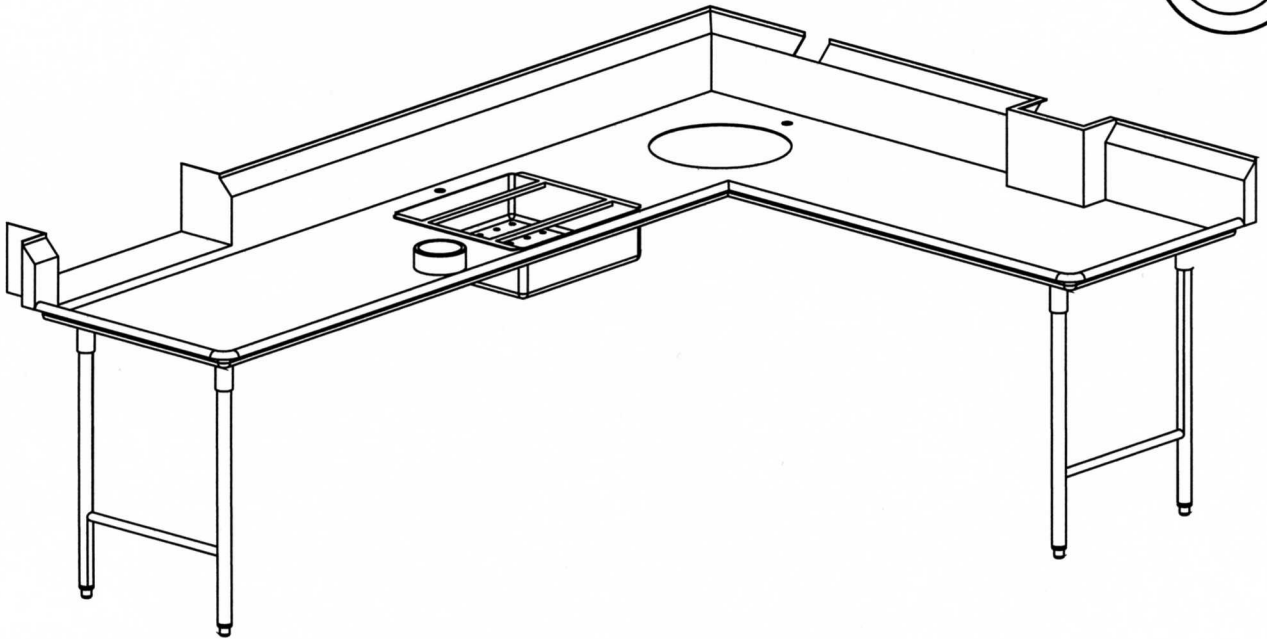


STA - PRO DISHTABLES

STA-PRO MFG. 43 SO. LINDEN AVE. SO.S.F. , CA 94080 PH (650) 589-4231 FAX (650) 589-3981



SPECIFICATIONS

STA-PRO DISHTABLES ARE CONSTRUCTED OF 16 GAUGE, TYPE 302, SERIES 18-8 STAINLESS STEEL. ALL SEAMS ARE WELDED, GROUND SMOOTH AND POLISHED. AVAILABLE IN EITHER STANDARD CONSTRUCTION (SQUARE CORNERS) OR N.S.F. APPROVED CONSTRUCTION.