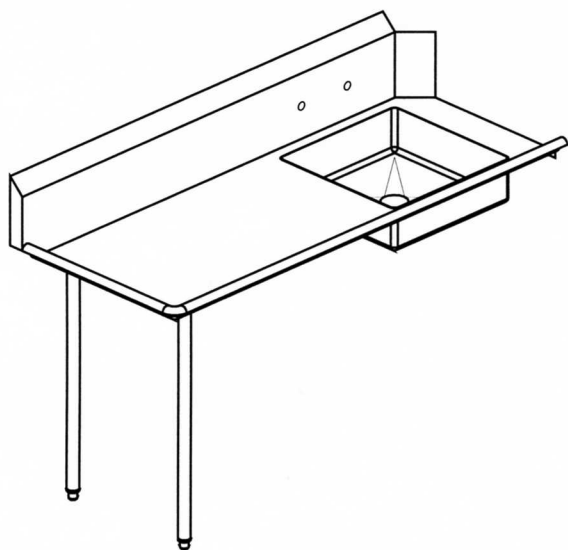


STA - PRO



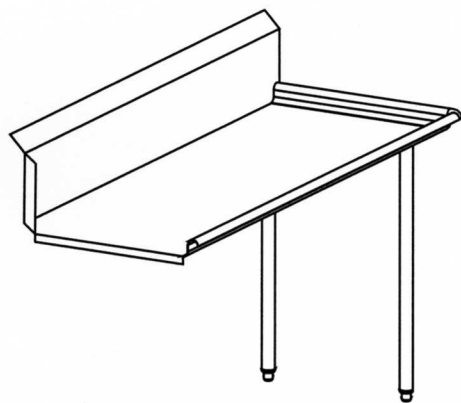
STA-PRO MFG. 43 SO. LINDEN AVE. SO.S.F. , CA 94080 PH (650) 589-4231 FAX (650) 589-3981

CLEAN AND SOILED DISHTABLES



SOILED DISHTABLE

| MODEL NO. | NET WT. | \$ LIST PRICE |
|-----------|---------|---------------|
| 3-SDT | 65 # | 990 |
| 4-SDT | 76 # | 1052 |
| 5-SDT | 87 # | 1114 |
| 6-SDT | 98 # | 1176 |
| 7-SDT | 116 # | 1356 |
| 8-SDT | 127 # | 1418 |
| 9-SDT | 138 # | 1480 |
| 10-SDT | 149 # | 1542 |



CLEAN DISHTABLE

| MODEL NO. | NET WT. | \$ LIST PRICE |
|-----------|---------|---------------|
| 2-CDT | 24 # | 606 |
| 3-CDT | 35 # | 668 |
| 4-CDT | 46 # | 730 |
| 5-CDT | 57 # | 792 |
| 6-CDT | 68 # | 854 |
| 7-CDT | 85 # | 1034 |
| 8-CDT | 96 # | 1096 |
| 9-CDT | 107 # | 1158 |
| 10-CDT | 118 # | 1220 |

OPTIONS

| | | |
|---|----------------------------|-----------------------|
| #SHSB, DIE STAMP SCRAP HOLE WITH RUBBER SCRAP BLOCK | 3 # | \$ 102 / EA. |
| #SBP, PLASTIC SCRAP BASKET AND S/S RACK SLIDE..... | 10 # | \$ 158 / EA. |
| #RS-20, REMOVABLE S/S RACK SLIDE..... | 5 # | \$ 116 / EA. |
| #DTES, END SPLASH..... | 4 # | \$ 170 / EA. |
| S/S LEGS IN LIEU OF G.I. LEGS, | THRU 6'-0", ADD \$ 30..... | OVER 6'-0", ADD \$ 60 |