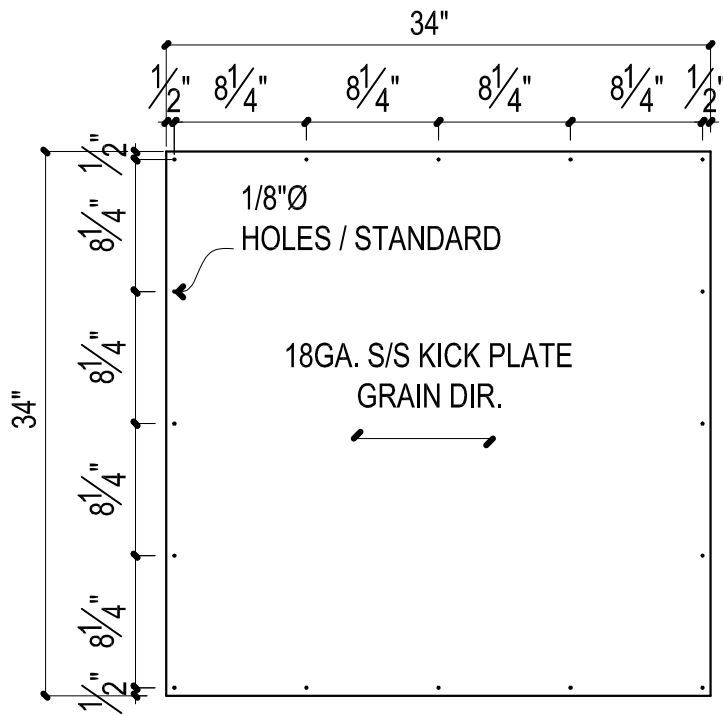
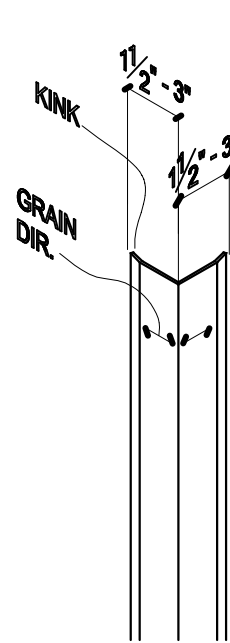


BUILDING HARDWARE

- ALL #4 FIN. T-304 S/S.
- 316 & 316 L AVAILABLE.



KICK PLATE MOD: #3434-KPLT — \$152.00



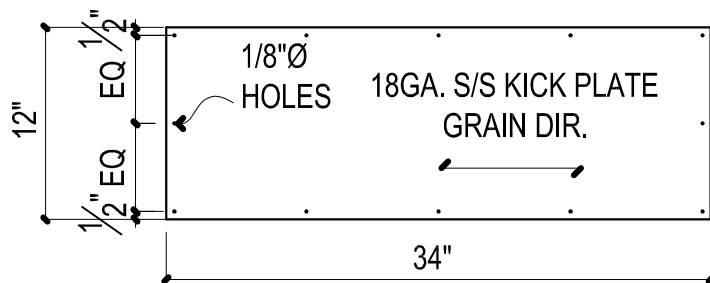
1-1/2" x 1-1/2"
CORNER GUARD MOD:
#CG-48 — \$75.00
#CG-60 — \$82.00
#CG-96 — \$135.00

3" x 3"
CORNER GUARD MOD:
#CG-48 — \$92.00
#CG-60 — \$99.00
#CG-96 — \$152.00

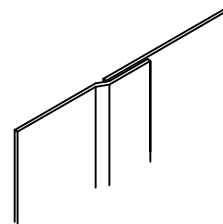
T-316 SS
ADD — 30%

CNTR SNK HOLES
ADD — \$25.00 EA

DBL SIDE TAPE
ADD — \$14.00 EA



KICK PLATE MOD: #1234-KPLT — \$85.00



\$ 14.00 / SQUARE FOOT
22GA. S/S WALL LINING
#4 FACTOR FINISH
WITH PREFORMED OFF-SET

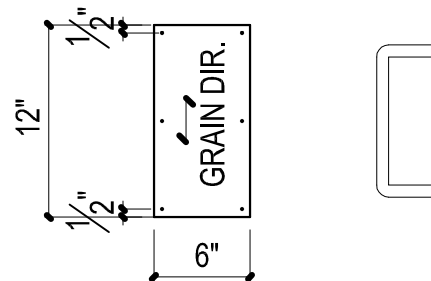
WALL LINING

S/S SCREW PACKS

#8 x 1/2" PAN HEAD SCREWS — 50 PCK. — \$9.50

#8 x 1" PAN HEAD SCREWS — 50 PCK. — \$10.50

#8 x 1-1/2" PAN HEAD SCREWS — 50 PCK. — \$11.50



PUSH & PULL PLATE MOD:

#612-PPLT (18GA.) — \$38.50

#612-PPLT-H (16GA.) — \$68.99

