



T&S BRASS AND BRONZE WORKS, INC.
 2 SADDLEBACK COVE / P.O. BOX 1088 / TRAVELERS REST, SC 29690
 PHONE 800-476-4103 - FAX 864- 834-3518



Model No.

B-0230-LN

**RELIABILITY
 BUILT IN**

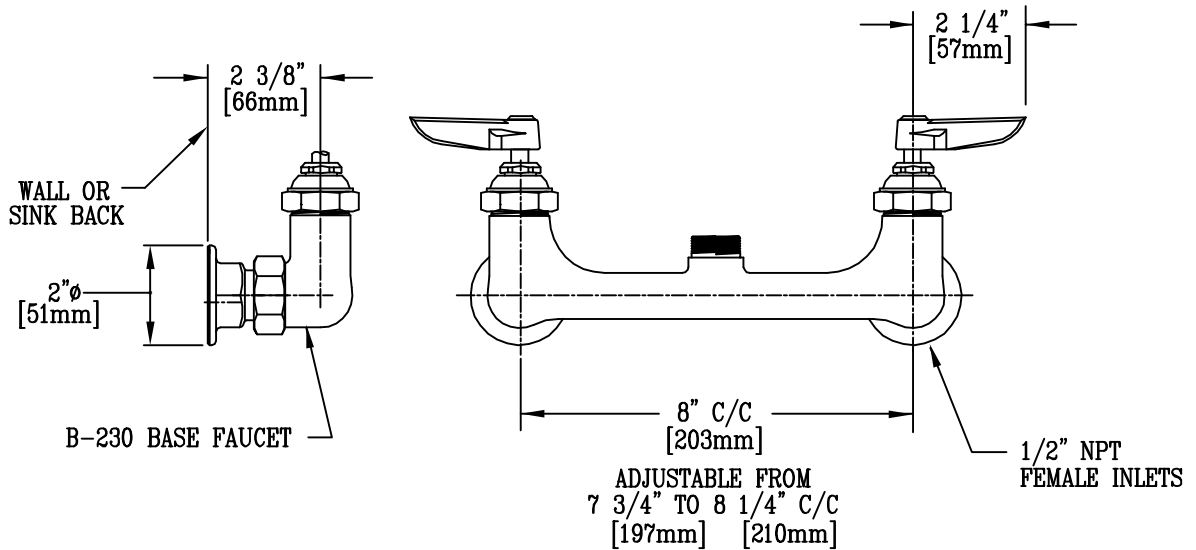
Job Name:

Architect/Engineer Approval:

Notes:



ADA COMPLIANT



NOTE:

ALSO AVAILABLE WITH B-WH-4" OR B-WH-6" WRIST ACTION BLADE HANDLES.

Product Description:

8" c/c WALL MOUNT SWIVEL BASE MIXING FAUCET WITH LEVER HANDLES AND 1/2" NPT FEMALE ECCENTRIC INLET FLANGES

Drawn:

MCW

Approved

CA

Checked

SCM

Scale:

1 : 4

Date:

7-28-95