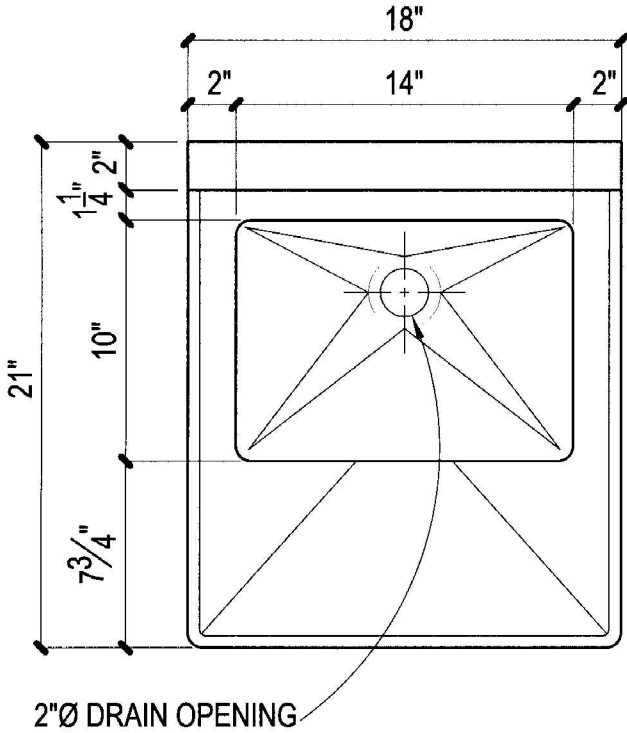


STA - PRO

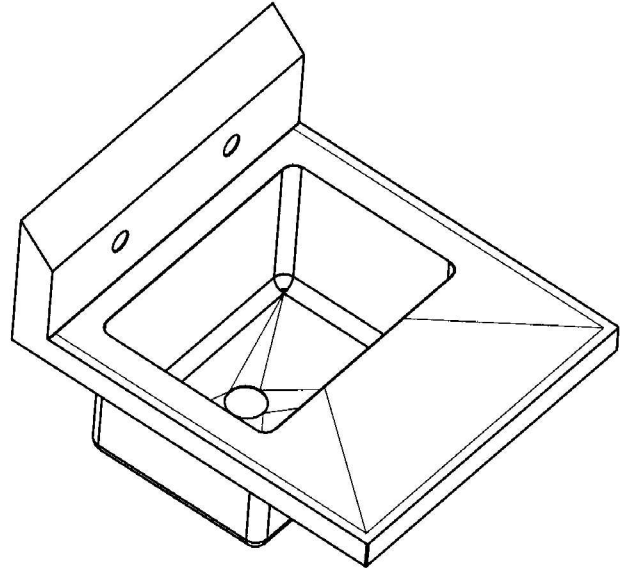
S/S SINK FOR HANDICAP

STA-PRO MFG. 43 SO. LINDEN AVE. SO.S.F., CA 94080 PH (650) 589-4231 FAX (650) 589-3981



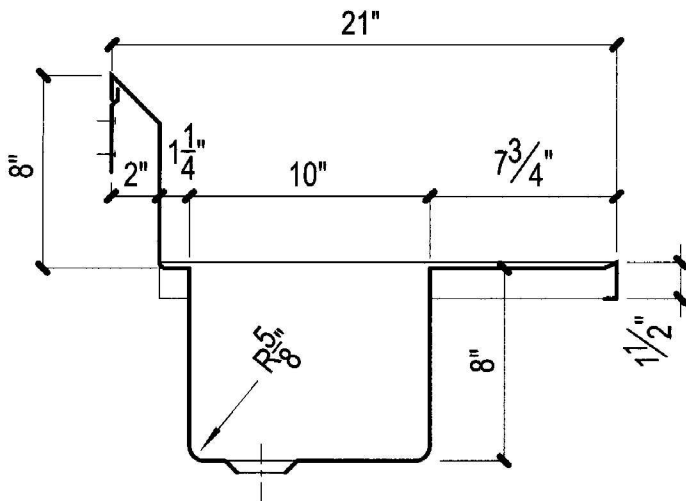
PLAN VIEW

SCALE: 1-1/2"=1'-0"



ISOMETRIC VIEW

N.T.S.



SIDE SECTION

SCALE: 1-1/2"=1'-0"

SPECIFICATIONS:

16 GA. T-304 S/S #4 FINISH I.D.,
BUILT TO COMPLY W/ N.S.F. STD 2