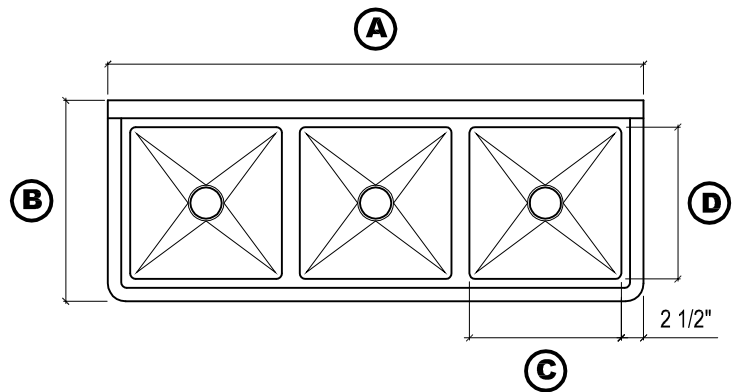
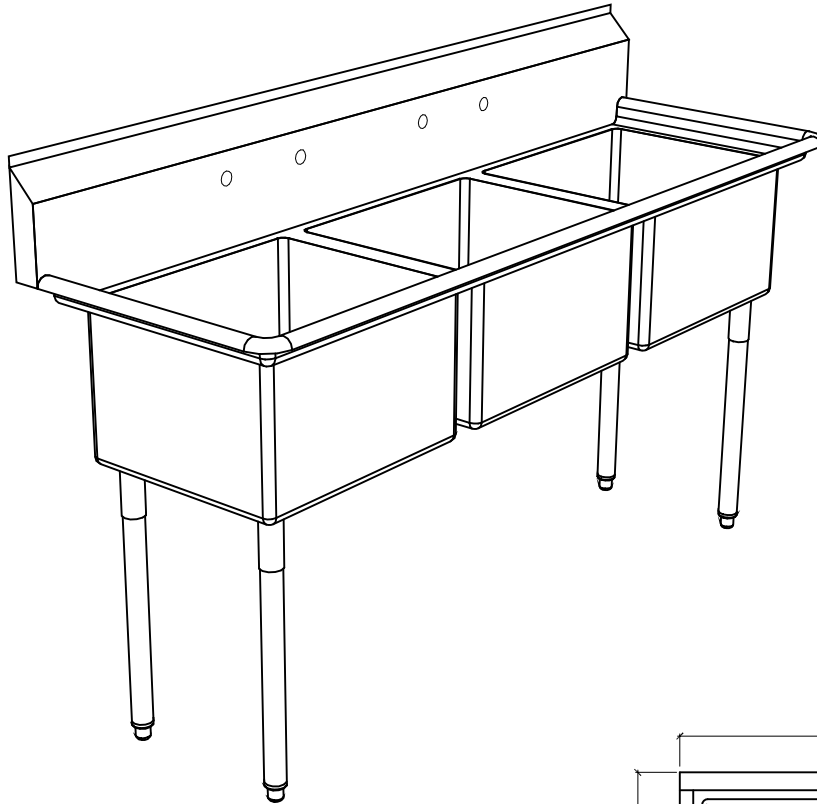


STA - PRO NSF SINKS

STA-PRO MFG. 43 SO. LINDEN AVE. SO. S.F., CA 94080 PH (650) 589-4231 FAX (650) 580-3981



DIMENSIONAL DATA

MODEL NO.	OVERALL		TUB SIZE		DRAINBOARD	NET WT.
	"A"	"B"	"C"	"D"		
3N17	41"	22.5"	17"	17"	NONE	88 #
3N1723	41"	28.5"	17"	23"	NONE	101 #
3N2028 *	47"	33.5"	20"	28"	NONE	125 #
3N23 *	53"	28.5"	23"	23"	NONE	115 #
3N2923 *	65"	28.5"	29"	23"	NONE	140 #
3N29 *	65"	34.5"	29"	29"	NONE	159 #

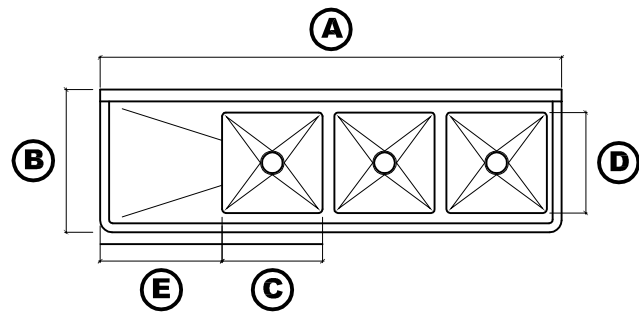
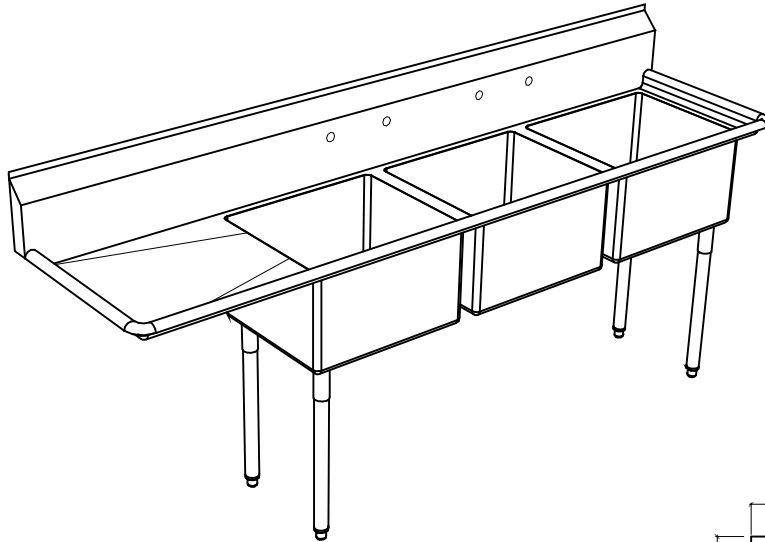
* INDICATES 2 SETS OF FAUCET HOLES

STANDARD SPECIFICATIONS

STA - PRO N.S.F. SINKS ARE CONSTRUCTED OF 16 GAUGE, TYPE 304 STAINLESS STEEL POLISHED TO A # 4 FINISH. EACH SINK IS WELDED AND POLISHED TO FORM A ONE PIECE SANITARY UNIT WITH ALL INSIDE CORNERS COVERED TO COMPLY WITH N.S.F. STANDARD NO. 2. THE FRONT AND BOTH ENDS ARE FINISHED WITH A 1.5" DIAMETER SANITARY ROLLED EDGE. THE 9.75" HIGH BACKSPLASH HAS A 2" RETURN TO THE WALL AT 45 DEGREES AND A 0.75" TURN-UP CENTER BASKET DRAINS WITH 1.5" IPS OUTLETS ARE FURNISHED. STAINLESS STEEL N.S.F. LEG SOCKETS ARE WELDED TO THE THE BOTTOM OF THE SINKS. LEGS ARE 1.625" O.D. GALVANIZED STEEL TUBING. FEET ARE N.S.F. ADJUSTABLE BULLET TYPE.

STA - PRO NSF SINKS

STA-PRO MFG. 43 SO. LINDEN AVE. SO. S.F., CA 94080 PH (650) 589-4231 FAX (650) 580-3981



DIMENSIONAL DATA

MODEL NO.	OVERALL		TUB SIZE		DRAINBOARD	NET WT.
	"A"	"B"	"C"	"D"	"E"	
3N17 - 1D18	75.5"	22.5"	17"	17"	18"	97 #
3N17 - 1D24	81.5"	22.5"	17"	17"	24"	100 #
3N1723 - 1D18	75.5"	28.5"	17"	23"	18"	111 #
3N1723 - 1D24	81.5"	28.5"	17"	23"	24"	115 #
3N2028 - 1D20 *	86.5"	33.5"	20"	28"	20"	140 #
3N23 - 1D24 *	99.5"	28.5"	23"	23"	24"	129 #
3N23 - 1D30 *	105.5"	28.5"	23"	23"	30"	137 #
3N2923 - 1D30 *	123.5"	28.5"	29"	23"	30"	158 #
3N2923 - 1D36 *	135.5"	28.5"	29"	23"	36"	170 #
3N29 - 1D30 *	123.5"	34.5"	29"	29"	30"	177 #
3N29 - 1D36 *	135.5"	34.5"	29"	29"	36"	188 #

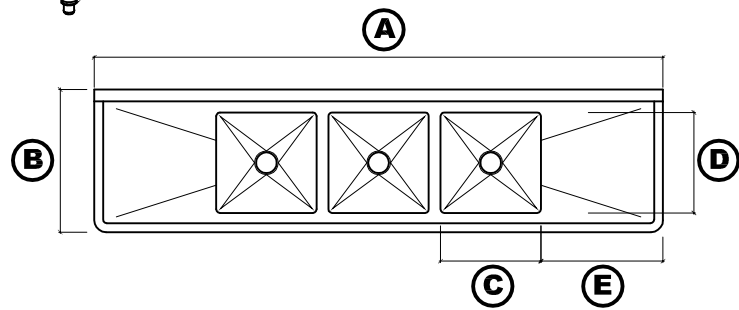
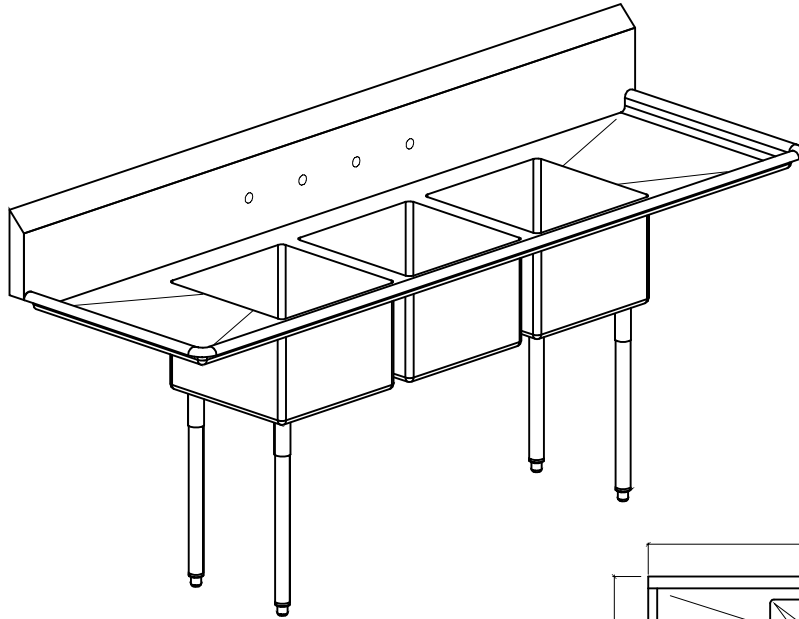
* INDICATES 2 SETS OF FAUCET HOLES

STANDARD SPECIFICATIONS

STA - PRO N.S.F. SINKS ARE CONSTRUCTED OF 16 GAUGE, TYPE 304 STAINLESS STEEL POLISHED TO A # 4 FINISH. EACH SINK IS WELDED AND POLISHED TO FORM A ONE PIECE SANITARY UNIT WITH ALL INSIDE CORNERS COVERED TO COMPLY WITH N.S.F. STANDARD NO. 2. THE FRONT AND BOTH ENDS ARE FINISHED WITH A 1.5" DIAMETER SANITARY ROLLED EDGE. THE 9.75" HIGH BACKSPLASH HAS A 2" RETURN TO THE WALL AT 45 DEGREES AND A 0.75" TURN-UP CENTER BASKET DRAINS WITH 1.5" IPS OUTLETS ARE FURNISHED. STAINLESS STEEL N.S.F. LEG SOCKETS ARE WELDED TO THE THE BOTTOM OF THE SINKS. LEGS ARE 1.625" O.D. GALVANIZED STEEL TUBING. FEET ARE N.S.F. ADJUSTABLE BULLET TYPE.

STA - PRO NSF SINKS

STA-PRO MFG. 43 SO. LINDEN AVE. SO. S.F., CA 94080 PH (650) 589-4231 FAX (650) 580-3981



DIMENSIONAL DATA

MODEL NO.	OVERALL		TUB SIZE		DRAINBOARD	NET WT.
	"A"	"B"	"C"	"D"	"E"	
3N17 - 2D18	91"	22.5"	17"	17"	18"	106 #
3N17 - 2D24	103"	22.5"	17"	17"	24"	112 #
3N1723 - 2D18	91"	28.5"	17"	23"	18"	121 #
3N1723 - 2D24	103"	28.5"	17"	23"	24"	129 #
3N2028 - 2D20 *	104"	33.5"	20"	28"	20"	155 #
3N23 - 2D24 *	121"	28.5"	23"	23"	24"	147 #
3N23 - 2D30 *	133"	28.5"	23"	23"	30"	154 #
3N2923 - 2D30 *	151"	28.5"	29"	23"	30"	176 #
3N2923 - 2D36 *	163"	28.5"	29"	23"	36"	197 #
3N29 - 2D30 *	151"	34.5"	29"	29"	30"	197 #
3N29 - 2D36 *	163"	34.5"	29"	29"	36"	219 #

* INDICATES 2 SETS OF FAUCET HOLES

STANDARD SPECIFICATIONS

STA - PRO N.S.F. SINKS ARE CONSTRUCTED OF 16 GAUGE, TYPE 304 STAINLESS STEEL POLISHED TO A # 4 FINISH. EACH SINK IS WELDED AND POLISHED TO FORM A ONE PIECE SANITARY UNIT WITH ALL INSIDE CORNERS COVERED TO COMPLY WITH N.S.F. STANDARD NO. 2. THE FRONT AND BOTH ENDS ARE FINISHED WITH A 1.5" DIAMETER SANITARY ROLLED EDGE. THE 9.75" HIGH BACKSPLASH HAS A 2" RETURN TO THE WALL AT 45 DEGREES AND A 0.50" TURN-DOWN CENTER BASKET DRAINS WITH 1.5" IPS OUTLETS ARE FURNISHED. STAINLESS STEEL N.S.F. LEG SOCKETS ARE WELDED TO THE THE BOTTOM OF THE SINKS. LEGS ARE 1.625" O.D. STAINLESS STEEL TUBING. FEET ARE N.S.F. ADJUSTABLE BULLET TYPE.