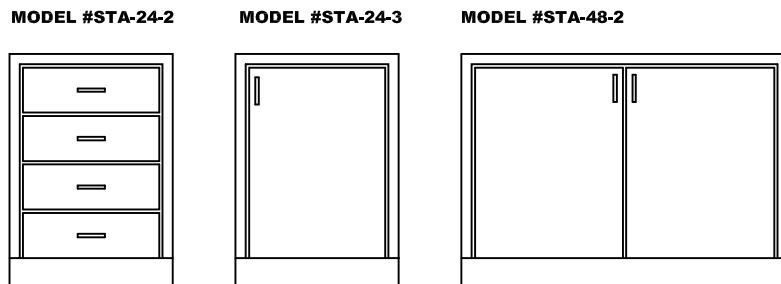
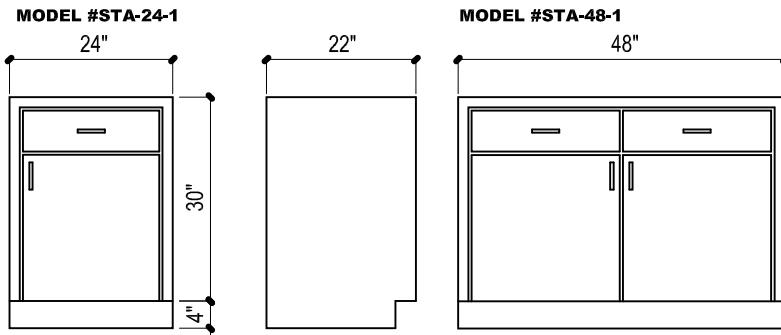


STA - PRO STAINLESS STEEL CABINETS

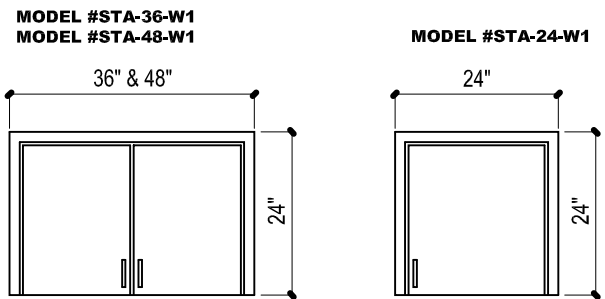
STA-PRO MFG. 43 SO. LINDEN AVE. SO. S.F., CA 94080 PH (650) 589-4231 FAX (650) 580-3981



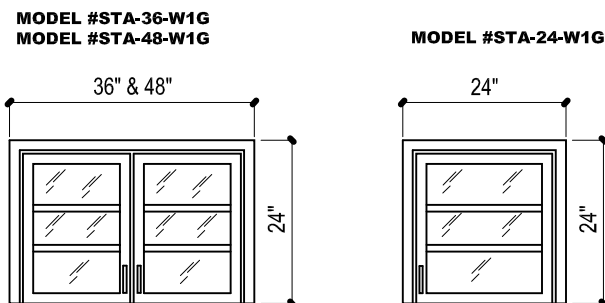
STA-PRO STAINLESS BASE CABINETS



STA-PRO STAINLESS WALL CABINETS



STA-PRO STAINLESS GLASS DOOR CABINETS



PRICING GUIDE 2008

MODEL # PRICE

STANDARD BASE CABINETS

STA-24-1	\$ 1,788.00
STA-24-2	\$ 2,748.00
STA-24-3	\$ 1,428.00
STA-36-1	\$ 2,405.00
STA-36-2	\$ 1,876.00
STA-48-1	\$ 2,869.00
STA-48-2	\$ 2,340.00

LAB TOP SPANNERS

STA-SPN-36	\$ 1,020.00
STA-SPN-48	\$ 1,140.00
STA-SPN-60	\$ 1,260.00

WALL HUNG CABINETS

STA-24X24-W1	\$ 2,268.00
STA-36X24-W1	\$ 2,948.00
STA-48X24-W1	\$ 3,468.00

WALL HUNG GLASS DOOR CABINETS

STA-24X24-W1 G	\$ 2,948.00
STA-36X24-W1 G	\$ 3,833.00
STA-48X24-W1 G	\$ 4,508.00

NOTE:

GLASS DOOR CABINETS ARE MADE OF 1/4" TEMPERED GLASS WITH REMOVABLE DOOR FRAME FOR EASY REPLACEMENT.

MATERIALS:

ALL CABINETS AND CASEWORK ARE MADE FROM STAINLESS STEEL T-304 WITH A #4 SATIN FINISH. BASES ARE ADJUSTABLE WITHIN 3/4".

T-316 MATERIAL AND T-316L AVAILABLE. FINISHED 2B, #4 SATIN, 120 MECHANICAL, 16GA. S/S MATERIAL.

OPTIONS:

- S/S PADDLE FLUSH MOUNT DOOR LATCHES.
- S/S LOCKING PADDLE LATCHES.
- EXTRA SHELVING.
- UNDER MOUNT LIGHTING.
- REMOVABLE & AUTO CLAVE DRAWER SLIDES.