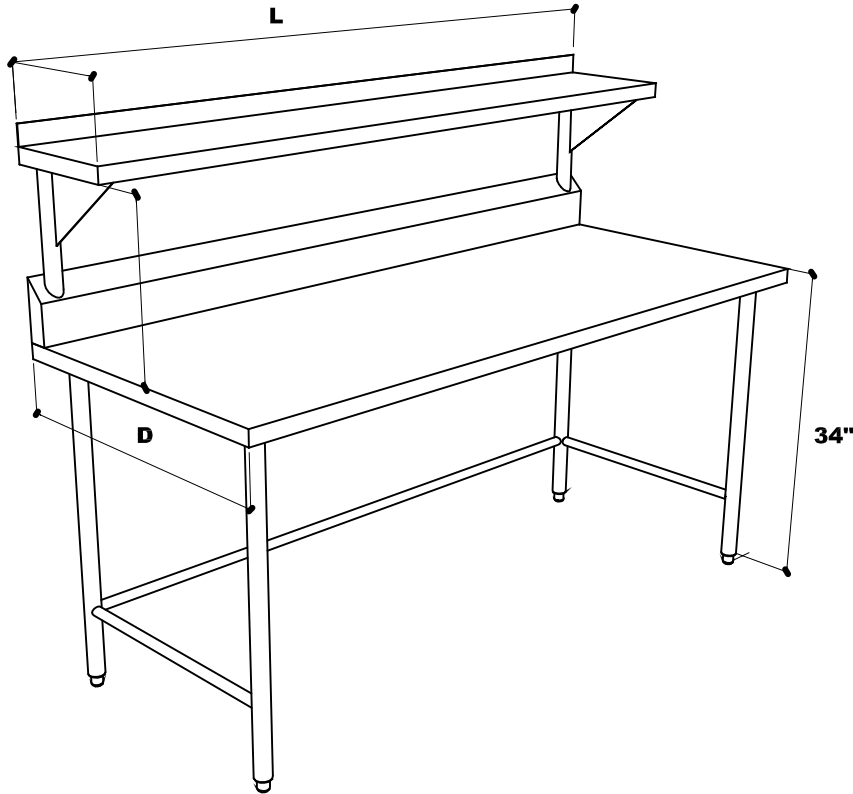


STA - PRO SERIES WT1T

STA-PRO MFG. 43 SO. LINDEN AVE. SO.SF., CA 94080 PH (650) 589-4231 FAX (650) 589-3981



LAB SOLUTION STAINLESS WORKTABLES



MODEL NO.		NET WT.
L	D	
2WT1T - 24		72 #
2WT1T - 30		76 #
2WT1T - 36		80 #
3WT1T - 24		84 #
3WT1T - 30		91 #
3WT1T - 36		97 #
4WT1T - 24		96 #
4WT1T - 30		105 #
4WT1T - 36		113 #
5WT1T - 24		111 #
5WT1T - 30		121 #
5WT1T - 36		131 #
6WT1T - 24		126 #
6WT1T - 30		138 #
6WT1T - 36		149 #
7WT1T - 24		157 #
7WT1T - 30		171 #
7WT1T - 36		185 #
8WT1T - 24		172 #
8WT1T - 30		188 #
8WT1T - 36		204 #
9WT1T - 24		187 #
9WT1T - 30		382 #
9WT1T - 36		202 #
10WT1T - 24		201 #
10WT1T - 30		221 #
10WT1T - 36		241 #
11WT1T - 24		213 #
11WT1T - 30		234 #
11WT1T - 36		255 #
12WT1T - 24		223 #
12WT1T - 30		246 #
12WT1T - 36		268 #

OPTIONS

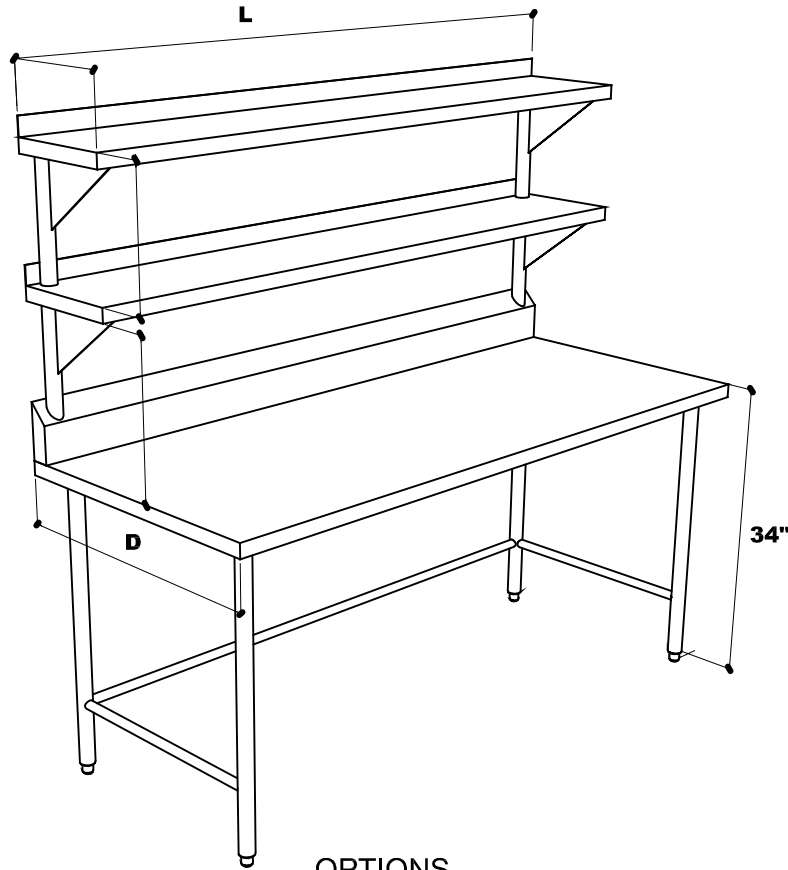
- \$ 185.00 POWDER COATED KEYBOARD TRAY 16" X 25" WITH WRIST PAD
- \$ 425.00 GFI OUTLET WITH CORD REEL
- \$ 85.00 ADDITIONAL GFI OUTLETS
- \$ 380.99 4115-P 15" X 20" S/S DRAWER ASSEMBLY & PLASTIC PAN LINER
- \$ 480.00 4115-S 15" X 20" S/S DRAWER ASSEMBLY & S/S PAN LINER
- \$ 450.00 AT-1717 WELDED IN 17" X 17" SINK 10" DEEP WITH BASKET DRAIN
- \$ 212.00 SET OF 4 S/S STEM CASTERS WITH BRAKES
- \$ 216.00 SET OF 6 S/S STEM CASTERS WITH BRAKES FOR TABLES OVER 6'-0" IN LENGTH
- \$ 86.00 24" END SPLASH
- \$ 96.00 30" END SPLASH
- \$ 106.00 36" END SPLASH
- \$ 15.00 SIESMIC S/S FLANGED ADJUSTABLE FEET EACH
- ADD 30% FIXED UNDERSHELF

STA - PRO SERIES WT2T

STA-PRO MFG. 43 SO. LINDEN AVE. SO.SF., CA 94080 PH (650) 589-4231 FAX (650) 589-3981



LAB SOLUTION STAINLESS WORKTABLES



OPTIONS

- \$ 185.00 POWDER COATED KEYBOARD TRAY 16" X 25" WITH WRIST PAD
- \$ 425.00 GFI OUTLET WITH CORD REEL
- \$ 85.00 ADDITIONAL GFI OUTLETS
- \$ 380.99 4115-P 15" X 20" S/S DRAWER ASSEMBLY & PLASTIC PAN LINER
- \$ 480.00 4115-S 15" X 20" S/S DRAWER ASSEMBLY & S/S PAN LINER
- \$ 450.00 AT-1717 WELDED IN 17" X 17" SINK 10" DEEP WITH BASKET DRAIN
- \$ 212.00 SET OF 4 S/S STEM CASTERS WITH BRAKES
- \$ 216.00 SET OF 6 S/S STEM CASTERS WITH BRAKES FOR TABLES OVER 6'-0" IN LENGTH
- \$ 86.00 24" END SPLASH
- \$ 96.00 30" END SPLASH
- \$ 106.00 36" END SPLASH
- \$ 15.00 SIESMIC S/S FLANGED ADJUSTABLE FEET EACH
- ADD 30% FIXED UNDERSHELF

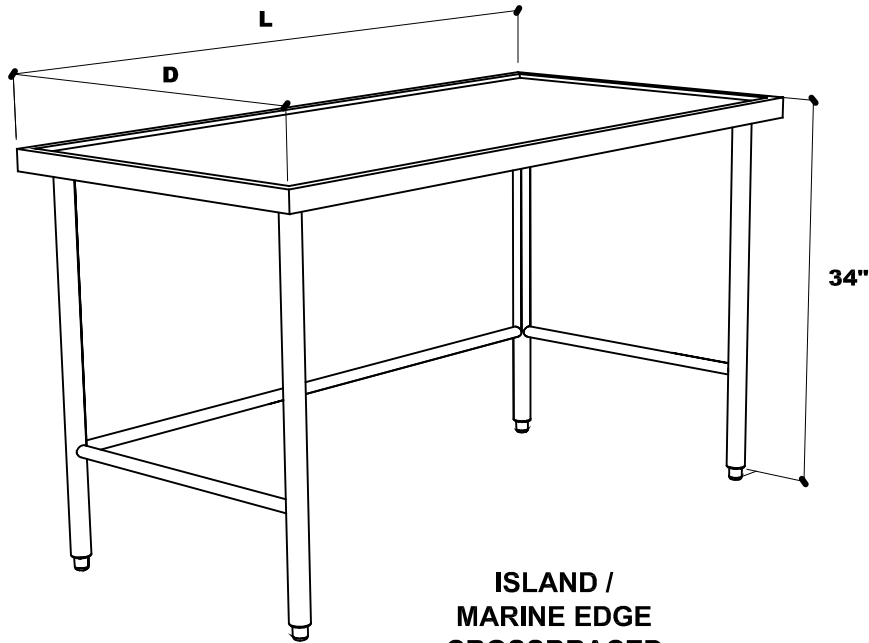
MODEL NO.		NET WT.
L	D	
2WT2T - 24		99 #
2WT2T - 30		103 #
2WT2T - 36		107 #
3WT2T - 24		115 #
3WT2T - 30		122 #
3WT2T - 36		128 #
4WT2T - 24		131 #
4WT2T - 30		140 #
4WT2T - 36		148 #
5WT2T - 24		150 #
5WT2T - 30		160 #
5WT2T - 36		170 #
6WT2T - 24		169 #
6WT2T - 30		181 #
6WT2T - 36		192 #
7WT2T - 24		205 #
7WT2T - 30		219 #
7WT2T - 36		233 #
8WT2T - 24		224 #
8WT2T - 30		240 #
8WT2T - 36		256 #
9WT2T - 24		243 #
9WT2T - 30		251 #
9WT2T - 36		258 #
10WT2T - 24		261 #
10WT2T - 30		281 #
10WT2T - 36		301 #
11WT2T - 24		277 #
11WT2T - 30		298 #
11WT2T - 36		319 #
12WT2T - 24		292 #
12WT2T - 30		315 #
12WT2T - 36		337 #

STA - PRO SERIES WTXM

STA-PRO MFG. 43 SO. LINDEN AVE. SO.SF., CA 94080 PH (650) 589-4231 FAX (650) 589-3981



LAB SOLUTION STAINLESS WORKTABLES



**ISLAND /
MARINE EDGE
CROSSBRACED**

MODEL NO.	NET WT.
L D	
2WTXM - 24	45 #
2WTXM - 30	49 #
2WTXM - 36	53 #
3WTXM - 24	53 #
3WTXM - 30	60 #
3WTXM - 36	66 #
4WTXM - 24	61 #
4WTXM - 30	70 #
4WTXM - 36	78 #
5WTXM - 24	72 #
5WTXM - 30	82 #
5WTXM - 36	92 #
6WTXM - 24	83 #
6WTXM - 30	95 #
6WTXM - 36	106 #
7WTXM - 24	103 #
7WTXM - 30	117 #
7WTXM - 36	131 #
8WTXM - 24	114 #
8WTXM - 30	130 #
8WTXM - 36	146 #
9WTXM - 24	125 #
9WTXM - 30	133 #
9WTXM - 36	140 #
10WTXM - 24	135 #
10WTXM - 30	155 #
10WTXM - 36	175 #
11WTXM - 24	143 #
11WTXM - 30	164 #
11WTXM - 36	185 #
12WTXM - 24	150 #
12WTXM - 30	173 #
12WTXM - 36	195 #

OPTIONS

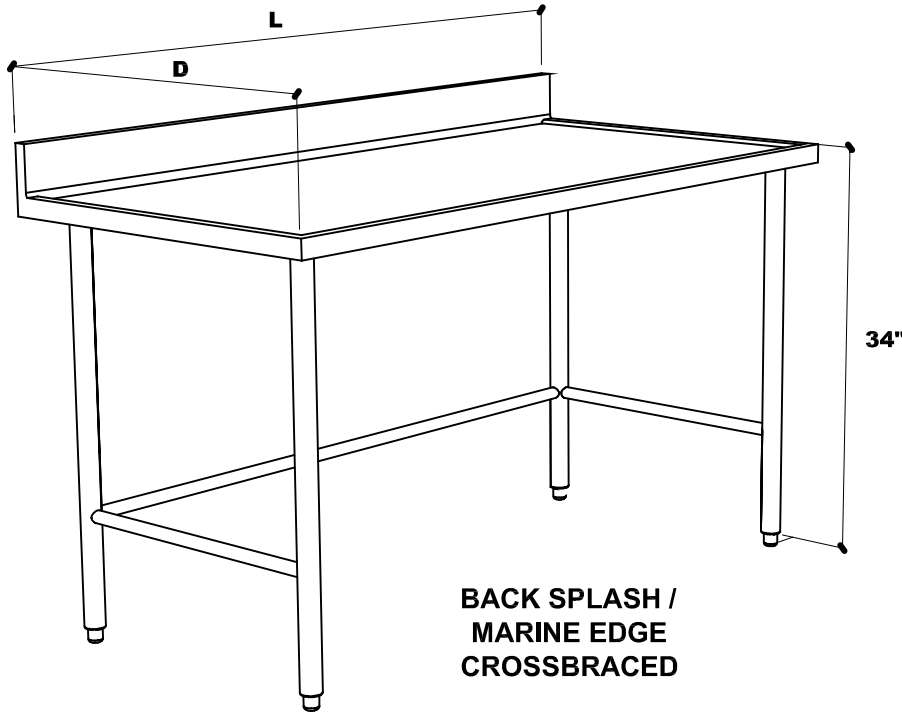
- \$ 185.00 POWDER COATED KEYBOARD TRAY 16" X 25" WITH WRIST PAD
- \$ 425.00 GFI OUTLET WITH CORD REEL
- \$ 85.00 ADDITIONAL GFI OUTLETS
- \$ 380.99 4115-P 15" X 20" S/S DRAWER ASSEMBLY & PLASTIC PAN LINER
- \$ 480.00 4115-S 15" X 20" S/S DRAWER ASSEMBLY & S/S PAN LINER
- \$ 450.00 AT-1717 WELDED IN 17" X 17" SINK 10" DEEP WITH BASKET DRAIN
- \$ 212.00 SET OF 4 S/S STEM CASTERS WITH BRAKES
- \$ 216.00 SET OF 6 S/S STEM CASTERS WITH BRAKES FOR TABLES OVER 6'-0" IN LENGTH
- \$ 86.00 24" END SPLASH
- \$ 96.00 30" END SPLASH
- \$ 106.00 36" END SPLASH
- \$ 15.00 SIESMIC S/S FLANGED ADJUSTABLE FEET EACH
- ADD 30% FIXED UNDERSHELF

STA - PRO SERIES WTRXM

STA-PRO MFG. 43 SO. LINDEN AVE. SO.SF., CA 94080 PH (650) 589-4231 FAX (650) 589-3981



LAB SOLUTION STAINLESS WORKTABLES



**BACK SPLASH /
MARINE EDGE
CROSSBRACED**

MODEL NO.		NET WT.
L	D	
2WTRXM - 24		46 #
2WTRXM - 30		50 #
2WTRXM - 36		53 #
3WTRXM - 24		55 #
3WTRXM - 30		61 #
3WTRXM - 36		67 #
4WTRXM - 24		64 #
4WTRXM - 30		73 #
4WTRXM - 36		81 #
5WTRXM - 24		76 #
5WTRXM - 30		86 #
5WTRXM - 36		95 #
6WTRXM - 24		87 #
6WTRXM - 30		98 #
6WTRXM - 36		109 #
7WTRXM - 24		107 #
7WTRXM - 30		119 #
7WTRXM - 36		131 #
8WTRXM - 24		118 #
8WTRXM - 30		133 #
8WTRXM - 36		147 #
9WTRXM - 24		130 #
9WTRXM - 30		147 #
9WTRXM - 36		163 #
10WTRXM - 24		141 #
10WTRXM - 30		161 #
10WTRXM - 36		180 #
11WTRXM - 24		149 #
11WTRXM - 30		170 #
11WTRXM - 36		191 #
12WTRXM - 24		157 #
12WTRXM - 30		179 #
12WTRXM - 36		201 #

OPTIONS

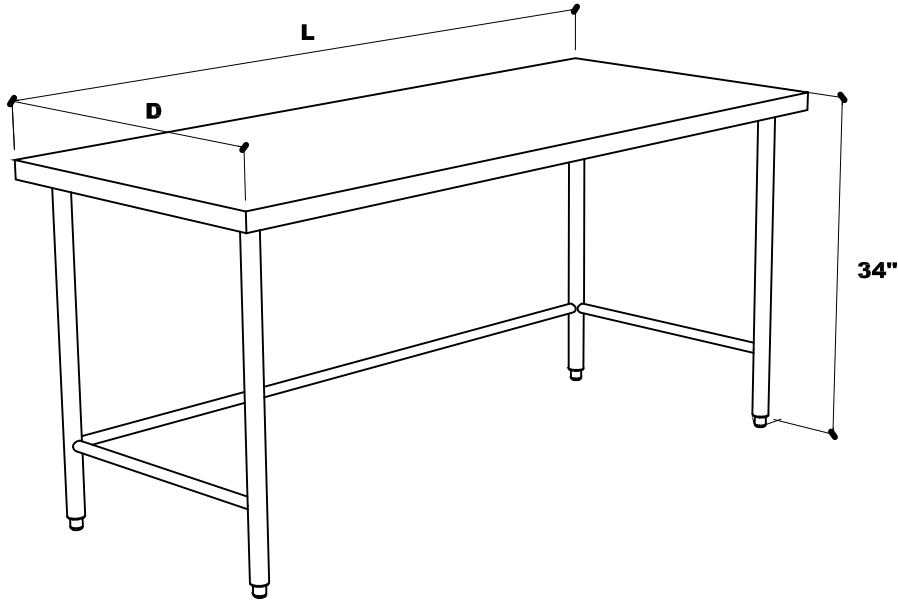
- \$ 185.00 POWDER COATED KEYBOARD TRAY 16" X 25" WITH WRIST PAD
- \$ 425.00 GFI OUTLET WITH CORD REEL
- \$ 85.00 ADDITIONAL GFI OUTLETS
- \$ 380.99 4115-P 15" X 20" S/S DRAWER ASSEMBLY & PLASTIC PAN LINER
- \$ 480.00 4115-S 15" X 20" S/S DRAWER ASSEMBLY & S/S PAN LINER
- \$ 450.00 AT-1717 WELDED IN 17" X 17" SINK 10" DEEP WITH BASKET DRAIN
- \$ 212.00 SET OF 4 S/S STEM CASTERS WITH BRAKES
- \$ 216.00 SET OF 6 S/S STEM CASTERS WITH BRAKES FOR TABLES OVER 6'-0" IN LENGTH
- \$ 86.00 24" END SPLASH
- \$ 96.00 30" END SPLASH
- \$ 106.00 36" END SPLASH
- \$ 15.00 SIESMIC S/S FLANGED ADJUSTABLE FEET EACH
- ADD 30% FIXED UNDERSHELF

STA - PRO SERIES WTSX

STA-PRO MFG. 43 SO. LINDEN AVE. SO.SF., CA 94080 PH (650) 589-4231 FAX (650) 589-3981



LIFE SCIENCE STAINLESS WORKTABLES



MODEL NO.		NET WT.
L	D	
2WTSX - 24		45 #
2WTSX - 30		49 #
2WTSX - 36		53 #
3WTSX - 24		53 #
3WTSX - 30		60 #
3WTSX - 36		66 #
4WTSX - 24		61 #
4WTSX - 30		70 #
4WTSX - 36		78 #
5WTSX - 24		72 #
5WTSX - 30		82 #
5WTSX - 36		92 #
6WTSX - 24		83 #
6WTSX - 30		95 #
6WTSX - 36		106 #
7WTSX - 24		103 #
7WTSX - 30		117 #
7WTSX - 36		131 #
8WTSX - 24		114 #
8WTSX - 30		130 #
8WTSX - 36		146 #
9WTSX - 24		125 #
9WTSX - 30		133 #
9WTSX - 36		140 #
10WTSX - 24		135 #
10WTSX - 30		155 #
10WTSX - 36		175 #
11WTSX - 24		143 #
11WTSX - 30		164 #
11WTSX - 36		185 #
12WTSX - 24		150 #
12WTSX - 30		173 #
12WTSX - 36		195 #

OPTIONS

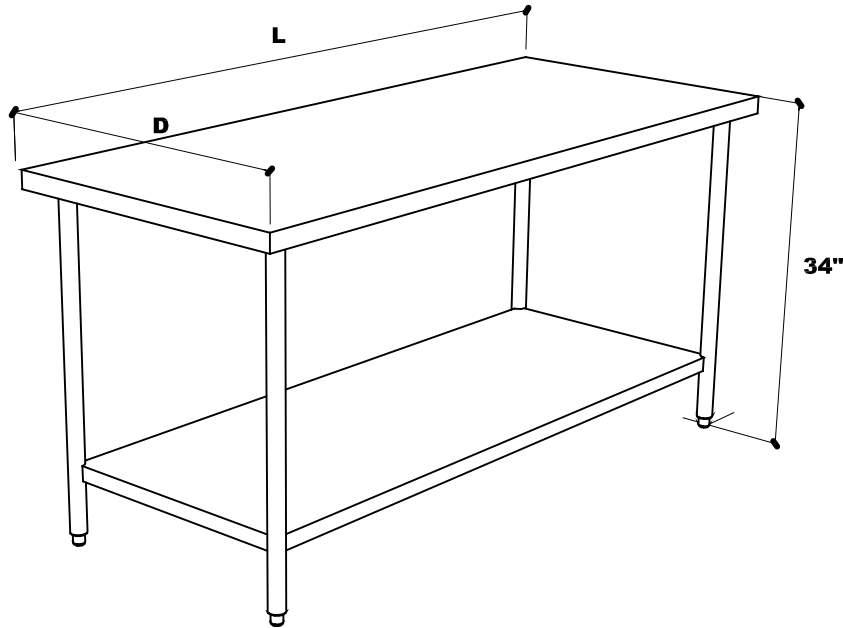
- \$ 185.00 POWDER COATED KEYBOARD TRAY 16" X 25" WITH WRIST PAD
- \$ 425.00 GFI OUTLET WITH CORD REEL
- \$ 85.00 ADDITIONAL GFI OUTLETS
- \$ 380.99 4115-P 15" X 20" S/S DRAWER ASSEMBLY & PLASTIC PAN LINER
- \$ 480.00 4115-S 15" X 20" S/S DRAWER ASSEMBLY & S/S PAN LINER
- \$ 450.00 AT-1717 WELDED IN 17" X 17" SINK 10" DEEP WITH BASKET DRAIN
- \$ 212.00 SET OF 4 S/S STEM CASTERS WITH BRAKES
- \$ 216.00 SET OF 6 S/S STEM CASTERS WITH BRAKES FOR TABLES OVER 6'-0" IN LENGTH
- \$ 86.00 24" END SPLASH
- \$ 96.00 30" END SPLASH
- \$ 106.00 36" END SPLASH
- \$ 15.00 SIESMIC S/S FLANGED ADJUSTABLE FEET EACH
- ADD 30% FIXED UNDERSHELF

STA - PRO SERIES WTX

STA-PRO MFG. 43 SO. LINDEN AVE. SO.SF., CA 94080 PH (650) 589-4231 FAX (650) 589-3981



LIFE SCIENCE STAINLESS WORKTABLES



MODEL NO.		NET WT.
L	D	
2WTS - 24		52 #
2WTS - 30		60 #
2WTS - 36		67 #
3WTS - 24		67 #
3WTS - 30		78 #
3WTS - 36		88 #
4WTS - 24		82 #
4WTS - 30		95 #
4WTS - 36		108 #
5WTS - 24		98 #
5WTS - 30		116 #
5WTS - 36		133 #
6WTS - 24		113 #
6WTS - 30		133 #
6WTS - 36		153 #
7WTS - 24		138 #
7WTS - 30		161 #
7WTS - 36		184 #
8WTS - 24		155 #
8WTS - 30		181 #
8WTS - 36		207 #
9WTS - 24		170 #
9WTS - 30		200 #
9WTS - 36		230 #
10WTS - 24		187 #
10WTS - 30		220 #
10WTS - 36		252 #
11WTS - 24		199 #
11WTS - 30		271 #
11WTS - 36		290 #
12WTS - 24		211 #
12WTS - 30		269 #
12WTS - 36		327 #

OPTIONS

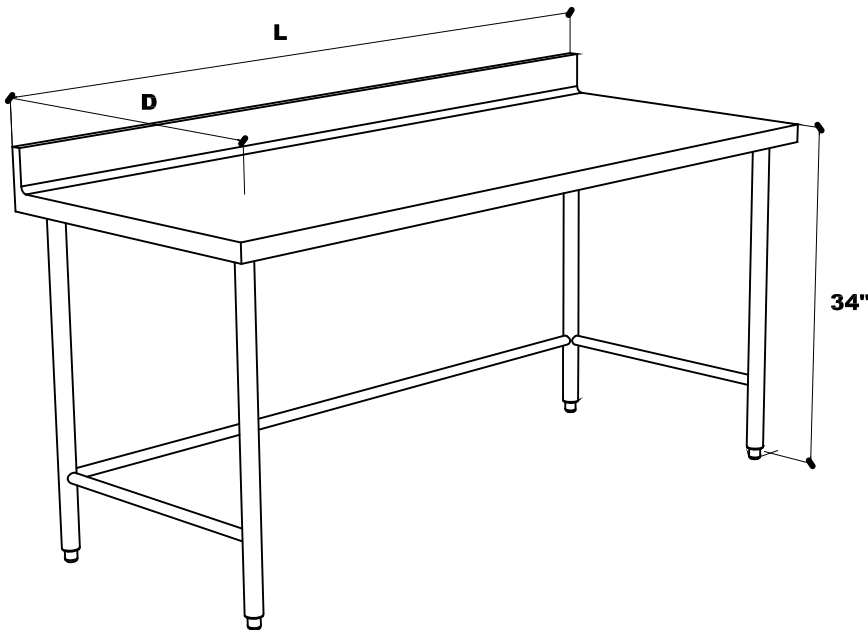
- \$ 185.00 POWDER COATED KEYBOARD TRAY 16" X 25" WITH WRIST PAD
- \$ 425.00 GFI OUTLET WITH CORD REEL
- \$ 85.00 ADDITIONAL GFI OUTLETS
- \$ 380.99 4115-P 15" X 20" S/S DRAWER ASSEMBLY & PLASTIC PAN LINER
- \$ 480.00 4115-S 15" X 20" S/S DRAWER ASSEMBLY & S/S PAN LINER
- \$ 450.00 AT-1717 WELDED IN 17" X 17" SINK 10" DEEP WITH BASKET DRAIN
- \$ 212.00 SET OF 4 S/S STEM CASTERS WITH BRAKES
- \$ 216.00 SET OF 6 S/S STEM CASTERS WITH BRAKES FOR TABLES OVER 6'-0" IN LENGTH
- \$ 86.00 24" END SPLASH
- \$ 96.00 30" END SPLASH
- \$ 106.00 36" END SPLASH
- \$ 15.00 SIESMIC S/S FLANGED ADJUSTABLE FEET EACH
- ADD 30% FIXED UNDERSHELF

STA - PRO SERIES WTRSX

STA-PRO MFG. 43 SO. LINDEN AVE. SO.SF., CA 94080 PH (650) 589-4231 FAX (650) 589-3981



LIFE SCIENCE STAINLESS WORKTABLES



MODEL NO.		NET WT.
L	D	
2WTRSX - 24		46 #
2WTRSX - 30		50 #
2WTRSX - 36		53 #
3WTRSX - 24		55 #
3WTRSX - 30		61 #
3WTRSX - 36		67 #
4WTRSX - 24		64 #
4WTRSX - 30		73 #
4WTRSX - 36		81 #
5WTRSX - 24		76 #
5WTRSX - 30		86 #
5WTRSX - 36		95 #
6WTRSX - 24		87 #
6WTRSX - 30		98 #
6WTRSX - 36		109 #
7WTRSX - 24		107 #
7WTRSX - 30		119 #
7WTRSX - 36		131 #
8WTRSX - 24		118 #
8WTRSX - 30		133 #
8WTRSX - 36		147 #
9WTRSX - 24		130 #
9WTRSX - 30		147 #
9WTRSX - 36		163 #
10WTRSX - 24		141 #
10WTRSX - 30		161 #
10WTRSX - 36		180 #
11WTRSX - 24		149 #
11WTRSX - 30		170 #
11WTRSX - 36		191 #
12WTRSX - 24		157 #
12WTRSX - 30		179 #
12WTRSX - 36		201 #

OPTIONS

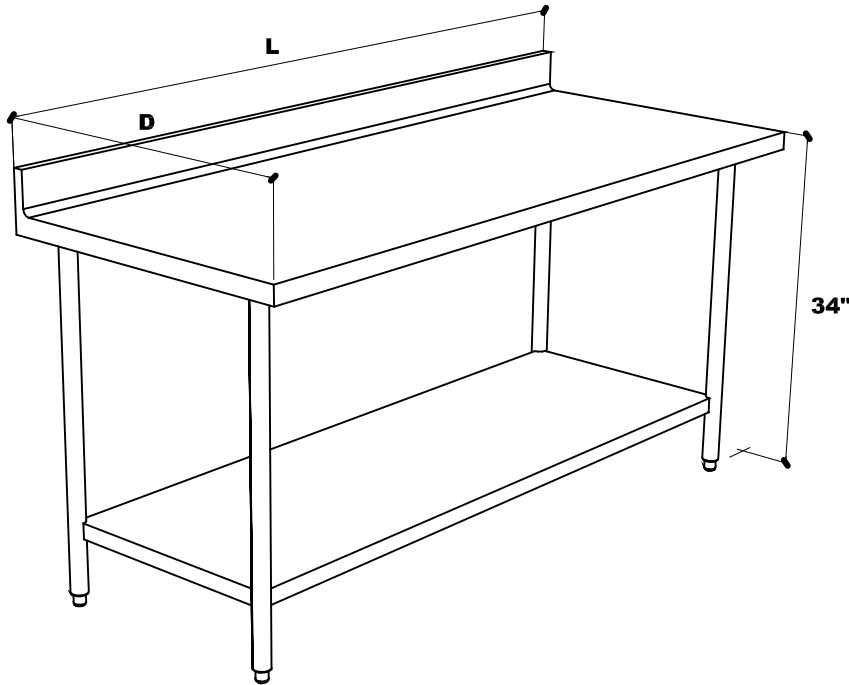
- \$ 185.00 POWDER COATED KEYBOARD TRAY 16" X 25" WITH WRIST PAD
- \$ 425.00 GFI OUTLET WITH CORD REEL
- \$ 85.00 ADDITIONAL GFI OUTLETS
- \$ 380.99 4115-P 15" X 20" S/S DRAWER ASSEMBLY & PLASTIC PAN LINER
- \$ 480.00 4115-S 15" X 20" S/S DRAWER ASSEMBLY & S/S PAN LINER
- \$ 450.00 AT-1717 WELDED IN 17" X 17" SINK 10" DEEP WITH BASKET DRAIN
- \$ 212.00 SET OF 4 S/S STEM CASTERS WITH BRAKES
- \$ 216.00 SET OF 6 S/S STEM CASTERS WITH BRAKES FOR TABLES OVER 6'-0" IN LENGTH
- \$ 86.00 24" END SPLASH
- \$ 96.00 30" END SPLASH
- \$ 106.00 36" END SPLASH
- \$ 15.00 SIESMIC S/S FLANGED ADJUSTABLE FEET EACH
- ADD 30% FIXED UNDERSHELF

STA - PRO SERIES WTRS

STA-PRO MFG. 43 SO. LINDEN AVE. SO.SF., CA 94080 PH (650) 589-4231 FAX (650) 589-3981



LIFE SCIENCE STAINLESS WORKTABLES



MODEL NO.		NET WT.
L	D	
2WTRS - 24		53 #
2WTRS - 30		61 #
2WTRS - 36		68 #
3WTRS - 24		69 #
3WTRS - 30		80 #
3WTRS - 36		90 #
4WTRS - 24		85 #
4WTRS - 30		98 #
4WTRS - 36		111 #
5WTRS - 24		101 #
5WTRS - 30		118 #
5WTRS - 36		134 #
6WTRS - 24		117 #
6WTRS - 30		137 #
6WTRS - 36		156 #
7WTRS - 24		142 #
7WTRS - 30		165 #
7WTRS - 36		188 #
8WTRS - 24		158 #
8WTRS - 30		185 #
8WTRS - 36		211 #
9WTRS - 24		175 #
9WTRS - 30		205 #
9WTRS - 36		234 #
10WTRS - 24		193 #
10WTRS - 30		225 #
10WTRS - 36		257 #
11WTRS - 24		206 #
11WTRS - 30		241 #
11WTRS - 36		275 #
12WTRS - 24		218 #
12WTRS - 30		255 #
12WTRS - 36		292 #

OPTIONS

- \$ 185.00 POWDER COATED KEYBOARD TRAY 16" X 25" WITH WRIST PAD
- \$ 425.00 GFI OUTLET WITH CORD REEL
- \$ 85.00 ADDITIONAL GFI OUTLETS
- \$ 380.99 4115-P 15" X 20" S/S DRAWER ASSEMBLY & PLASTIC PAN LINER
- \$ 480.00 4115-S 15" X 20" S/S DRAWER ASSEMBLY & S/S PAN LINER
- \$ 450.00 AT-1717 WELDED IN 17" X 17" SINK 10" DEEP WITH BASKET DRAIN
- \$ 212.00 SET OF 4 S/S STEM CASTERS WITH BRAKES
- \$ 216.00 SET OF 6 S/S STEM CASTERS WITH BRAKES FOR TABLES OVER 6'-0" IN LENGTH
- \$ 86.00 24" END SPLASH
- \$ 96.00 30" END SPLASH
- \$ 106.00 36" END SPLASH
- \$ 15.00 SIESMIC S/S FLANGED ADJUSTABLE FEET EACH
- ADD 30% FIXED UNDERSHELF